

# Series 100

UP, UPS, UPSD circulator pumps  
50/60 Hz



be  
think  
innovate

**GRUNDFOS** 

<b>1. Product description</b>	<b>3</b>
Applications . . . . .	3
Type key . . . . .	3
Performance range . . . . .	4
<b>2. Product range</b>	<b>7</b>
Circulator pumps for heating systems . . . . .	7
Circulator pumps for domestic hot-water systems . . . . .	8
Circulator pumps for cooling and air-conditioning systems . . . . .	9
<b>3. Operating conditions</b>	<b>10</b>
Pumped liquids . . . . .	10
Temperatures . . . . .	10
Maximum system pressure . . . . .	10
Inlet pressure . . . . .	10
<b>4. Construction</b>	<b>11</b>
Motor . . . . .	11
Sectional drawings . . . . .	11
Material specification . . . . .	13
<b>5. Installation</b>	<b>14</b>
Air separator pump . . . . .	14
<b>6. Performance curves and technical data</b>	<b>15</b>
Curve conditions . . . . .	15
Energy labelling . . . . .	15
<b>7. Data sheets</b>	<b>16</b>
<b>8. Product range</b>	<b>81</b>
<b>9. Accessories</b>	<b>85</b>
Pipe connections . . . . .	85
Alarm module . . . . .	86
ALPHA plug . . . . .	86
Insulation kits . . . . .	86
Grundfos controllers . . . . .	87
Plug-in timer . . . . .	87
<b>10. Grundfos Product Center</b>	<b>88</b>

# 1. Product description

## Applications

The Grundfos Series 100 circulator pumps are specifically designed for heating systems. The pumps are also suitable for circulation of domestic hot water and for circulation of liquid in cooling and air-conditioning systems.

### Heating systems

For central and district heating systems, use pump type UPS.

The UPS can be operated at three different speeds.

The pumps are used primarily for one- and two-pipe heating systems, but are, for example, also suitable for mixing loops in large systems.

For underfloor heating systems, we recommend using pump type UP(S) N, as the pumped liquid may often become aerated, causing an ordinary cast-iron pump housing to corrode.

### Domestic hot-water systems

For circulation in domestic hot-water systems, use pump type GRUNDFOS UP N with stainless-steel pump housing.

The UP N can be connected to an on/off time switch to save energy. The on/off time switch can switch the pump on/off to limit pump operation to periods when hot water is usually required.

### Cooling and air-conditioning systems

For cooling and air-conditioning systems, use standard UPS pumps or the special versions, types UPS K and UP KU, depending on type and size. See also [Product range](#) on page 7.

Temperature ranges: -25 to +95 °C  
-25 to +110 °C.

These pumps are suitable for circulation of both cold and hot water.

### Type key

Example	UP	S	D	40	-50	F
Type range						
S = electric speed control						
Twin-head pump						
Nominal diameter (DN) of suction and discharge ports [mm]						
Maximum head [dm]						
Pipe connection:						
= pipe thread (no letter)						
F = flange						
Pump housing:						
= cast iron (no letter)						
N = stainless steel						
A = pump housing with air separator, upward water flow						
K = cold-water version						
KU = cold-water version (foam-filled terminal box and stator)						

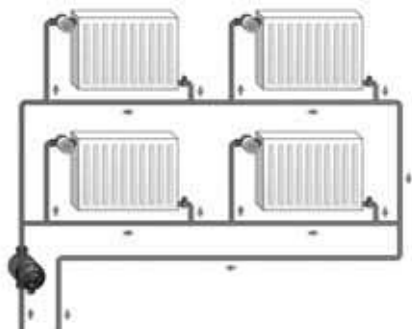


Fig. 1 One-pipe heating system

TM03 8990 4507

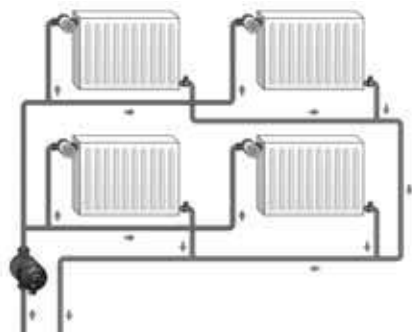


Fig. 2 Two-pipe heating system

TM03 8989 4507

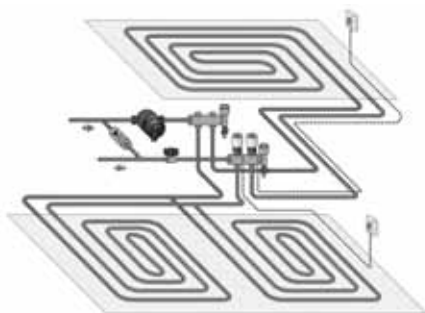
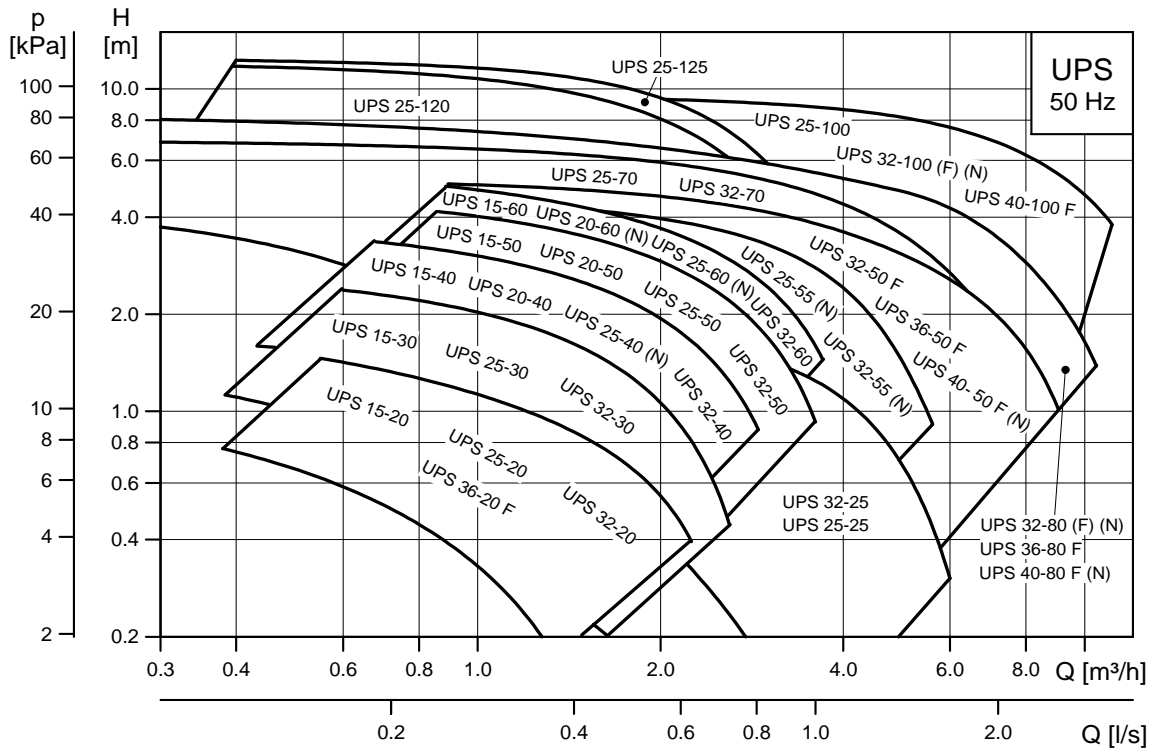


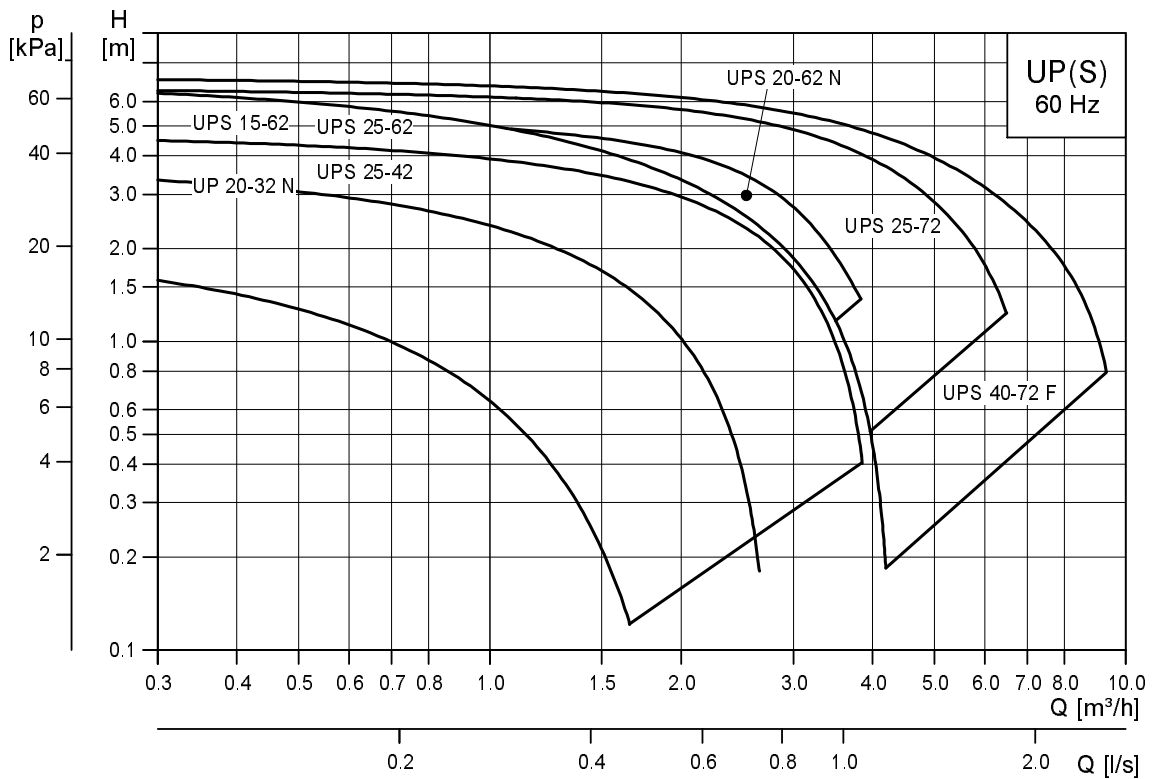
Fig. 3 Underfloor heating system

TM03 9890 4507

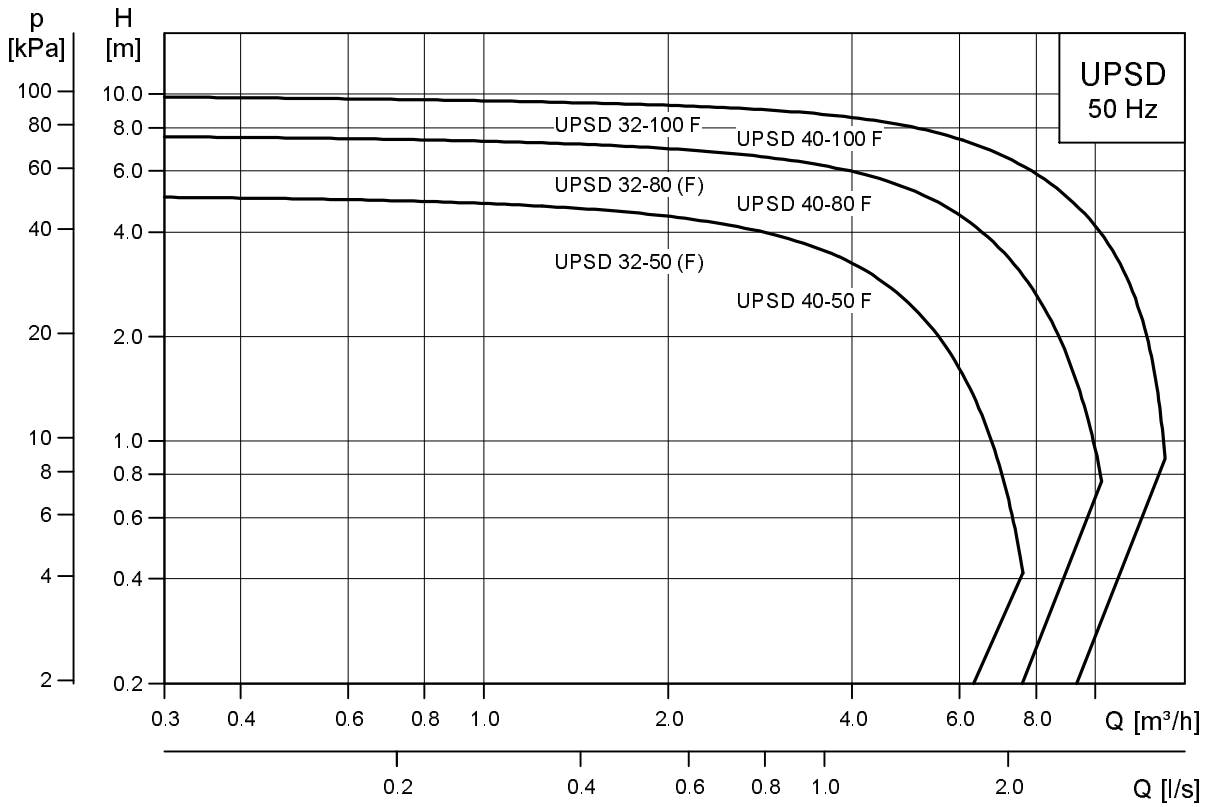
Performance range



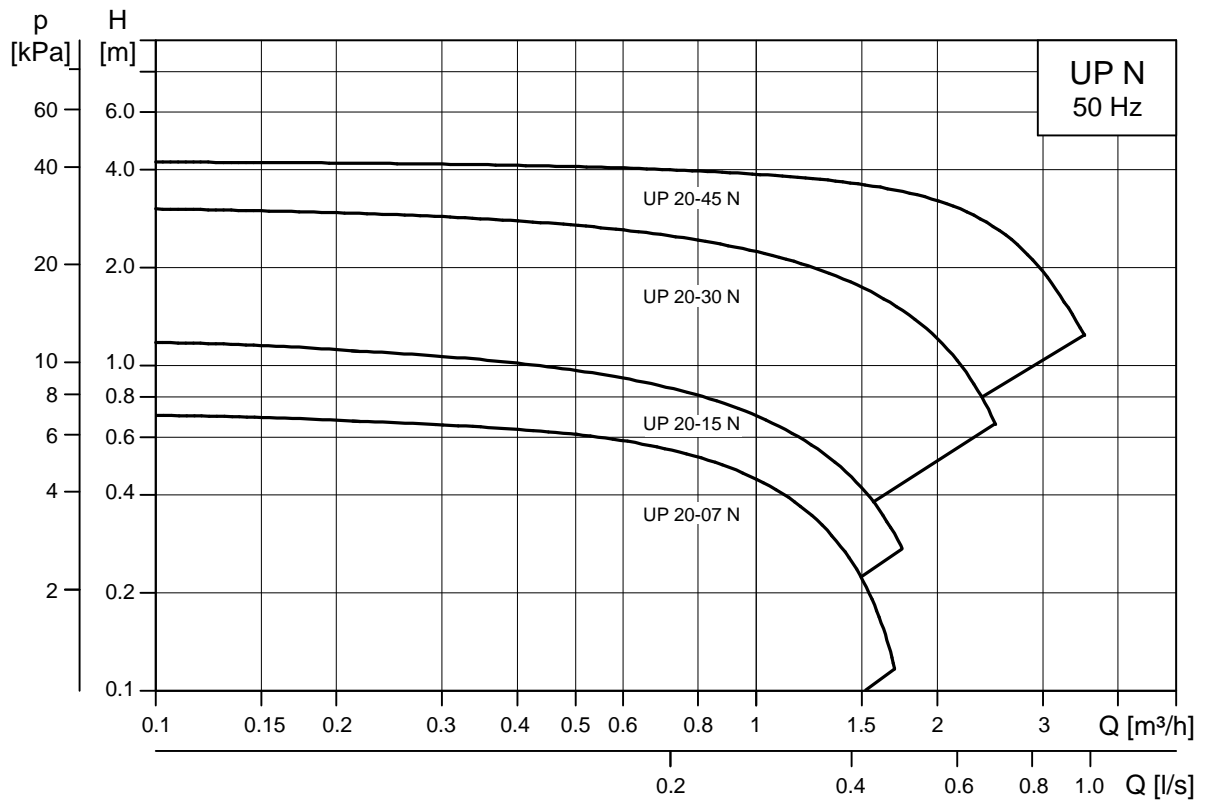
TM00 9602 1709



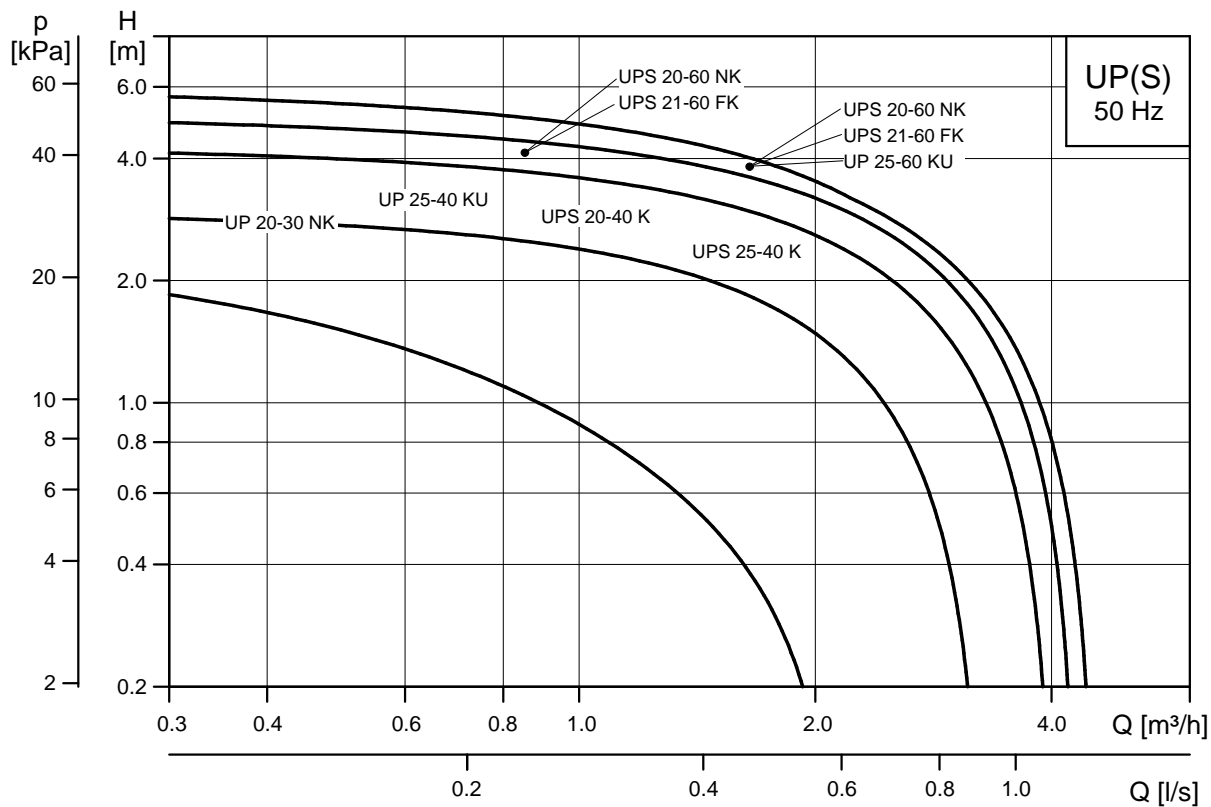
TM04 4621 1809



TM04 4619 1809



TM06 2847 4714

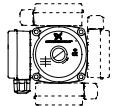
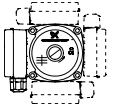

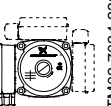
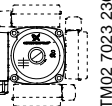
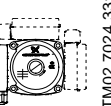
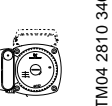


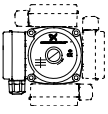
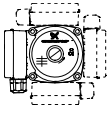

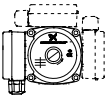
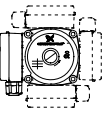
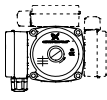

TM06 5180 4015

## 2. Product range

### Circulator pumps for heating systems

The stainless steel circulators are suitable for drinking water only. Therefore, they are out of scope of the EuP requirements and can be sold in the EU after 2013 (these pumps are marked with an \*).

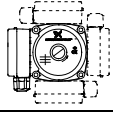
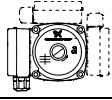

Pump material	Cast iron	Cast iron	Cast iron	Cast iron K-version	Stainless steel	Stainless steel	Stainless steel	
Liquid temperature	+2 to +95 °C	+2 to +110 °C	-25 to +110 °C	-25 to +95 °C	+2 to +110 °C	-25 to +95 °C	-25 to +110 °C	
Terminal box position	 TIM02 7023 2303	 TIM02 7023 2303	 TIM04 2810 3408	 TIM02 7024 2303	 TIM02 7023 2303	 TIM02 7024 3311	 TIM04 2810 3408	Data sheet page
<b>UPS, UP, 1 x 230 V, 50 Hz</b>								
UPS 15-20		•						16
UPS 25-20 ★		•						16
UPS 32-20		•						16
UPS 36-20			•					16
UPS 25-25			•					19
UPS 32-25			•					20
UPS 15-30		•						21
UPS 25-30 ★		•						21
UPS 32-30		•						21
UPS 15-40		•						23
UPS 20-40				•				23
UPS 25-40 ★		•		•	•*			23
UPS 32-40		•						23
UPS 15-50		•						25
UPS 20-50		•						25
UPS 25-50		•		•				25
UPS 32-50		•						25
UPS 32-50			•					26
UPS 36-50			•					27
UPS 40-50			•				•*	26
UPS 25-55			•				•*	28
UPS 32-55			•				•*	29
UPS 15-60		•						30
UPS 20-60		•						30
UPS 21-40		•						31
UPS 21-50		•						32
UPS 21-60		•		•				33
UPS 25-60 ★		•		•	•*			34
UPS 32-60		•						36
UPS 25-70		•						37
UPS 32-70		•						37
UPS 25-80			•				•*	38
UPS 32-80			•				•*	40
UPS 36-80			•					41
UPS 40-80			•				•*	40
UPS 25-100			•					42
UPS 32-100			•				•*	43
UPS 40-100			•					43
UPS 25-120	•							44
UPS 25-125	•							45
<b>UPS, UP, 3 x 230 V, 50 Hz</b>								
UPS 25-50		•						46
<b>UPS, UP, 3 x 400 V, 50 Hz</b>								
UPS 25-20		•						47
UPS 32-20		•						47
UPS 25-40		•						48
UPS 32-40		•						48
UPS 25-50		•						49
UPS 32-50		•						49
UPS 25-60		•			•*			50
UPS 32-60		•						50
<b>UPS, UP, 1 x 220 V, 60 Hz</b>								

Pump material	Cast iron	Cast iron	Cast iron	Cast iron K-version	Stainless steel	Stainless steel	Stainless steel	
Liquid temperature	+2 to +95 °C	+2 to +110 °C	-25 to +110 °C	-25 to +95 °C	+2 to +110 °C	-25 to +95 °C	-25 to +110 °C	
Terminal box position	 TM02 7023 2303	 TM02 7023 2303	 TM04 2810 3408	 TM02 7024 2303	 TM02 7023 2303	 TM02 7024 3311	 TM04 2810 3408	Data sheet page
UPS 25-42		•						51
UPS 25-62		•		•				52
UPS 25-72		•						53
UPS 40-72			•					54
<b>UPSD twin-head pumps, 1 x 230 V, 50 Hz</b>								
UPSD 32-50			•					55
UPSD 40-50			•					56
UPSD 32-80			•					57
UPSD 40-80			•					58
UPSD 32-100			•					59
UPSD 40-100			•					59

★ On request: Pump housing with air separator, type A.

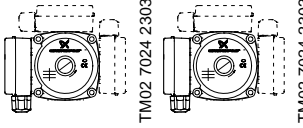
## Circulator pumps for domestic hot-water systems

The stainless steel circulators are suitable for drinking water only. Therefore, they are out of scope of the EuP requirements and can be sold in the EU after 2013 (these pumps are marked with an \*).

Pump material	Stainless steel	Stainless steel	Stainless steel	
Liquid temperature	+2 to +110 °C	-25 to +95 °C	-25 to +110 °C	
Terminal box position	 TM02 7023 2303	 TM02 7024 2303	 TM04 2810 3408	Data sheet page
<b>UP, UPS, 1 x 230 V, 50 Hz</b>				
UP 20-07 N	•*			60
UP 20-15 N	•*			61
UP 20-30 N	•*	•*		62
UP 20-45 N			•*	63
UPS 20-60 N	•*		•*	64
<b>UPS, UP, 1 x 240 V, 50 Hz</b>				
UP 20-30 N	•*			65
UPS 20-60 N	•*			66
<b>UPS, UP, 3 x 220 V, 50 Hz</b>				
UP 20-30 N	•*			67
<b>UPS, UP, 3 x 400 V, 50 Hz</b>				
UP 20-15 N	•*			68
UP 20-30 N	•*			69
<b>UPS, UP, 1 x 220 V, 60 Hz</b>				
UP 20-32 N	•*			70
UPS 20-62 N	•*			71



## Circulator pumps for cooling and air-conditioning systems

Pump material	Cast iron	Stainless steel	
Liquid temperature	-25 to +95 °C	-25 to +95 °C	
Terminal box position			Data sheet page
<b>UPS, 1 x 230 V, 50 Hz</b>			
UPS 20-30 NK	•	•	72
UPS 20-40 K	•		73
UPS 25-40 K	•		74
UPS 25-50 K	•		75
UPS 21-60 FK	•		77
<b>UPS, 1 x 240 V, 50 Hz</b>			
UPS 20-60 NK	•	•	76
<b>UP, 1 x 230 V, 50 Hz</b>			
UP 25-40 KU	•		78
UP 25-50 KU	•		79
UP 25-60 KU	•		80

## 3. Operating conditions

### Pumped liquids

Depending on type, Grundfos circulator pumps are suitable for the following liquids:

- clean, thin, non-aggressive and non-explosive liquids without solid particles or fibres
- cooling liquids, not containing mineral oil
- domestic hot water, max. 14 °dH, max. 65 °C, peak max. 70 °C
- softened water.

The kinematic viscosity of water is  $\nu = 1 \text{ mm}^2/\text{s}$  (1 cSt) at 20 °C. If the pump is used for a liquid with a higher viscosity, the hydraulic performance of the pump will be reduced.

**Example:** 50 % glycol at 20 °C means a viscosity of approx. 10 mm<sup>2</sup>/s (10 cSt) and a reduction of pump performance by approx. 15 %.

Do not pump liquids containing additives that in any way can/will disturb the functionality of the pump.

When selecting a pump, the viscosity of the pumped liquid must be taken into consideration.

### Temperatures

#### Liquid temperature

For liquid temperatures, please see the tables in [2. Product range](#) on page 7 and the following.

#### Ambient temperature

The ambient temperature for standard pumps with a permissible minimum liquid temperature of +2 °C should always be lower than the liquid temperature, as condensation may otherwise form in the stator housing.

### Maximum system pressure

Pump with unions (PN 10): 1.0 MPa (10 bar).

Flanged pump (PN 6/10): 0.6/1.0 MPa (6/10 bar).

Pump with Grundfos flanges: 1.0 MPa (10 bar).

### Inlet pressure

To avoid cavitation noise and damage to the pump bearings, the following minimum pressures are required at the pump suction port.

Liquid temperature	85 °C	90 °C	110 °C
Inlet pressure	0.5 m head 0.049 bar	2.8 m head 0.27 bar	11.0 m head 1.08 bar

## 4. Construction

The UP and UPS(D) pumps are of the canned-rotor type, i.e. pump and motor form an integral unit without shaft seal and with only two gaskets for sealing. The bearings are lubricated by the pumped liquid.

The pumps are characterised by the following:

- ceramic shaft and radial bearing
- carbon thrust bearing
- stainless-steel rotor can and bearing plate
- impeller of corrosion-resistant material
- pump housing of cast iron or stainless steel.

### Motor

The motor is a 2- or 4-pole, asynchronous, squirrel-cage motor in conformity with the EMC directive.

Standards used: EN 61000-6-2 and EN 61000-6-3.

The terminal box is easily accessible and has functional cable connecting terminals. The cable entry is tight and incorporates cable relief.

The terminal box and the motor-pump unit have been wet-tested according to the Low Voltage Directive.

Standards used: EN 60335-1 and EN 60335-2-51.

The cable entry of single-phase motors can be pushed out of its guide to facilitate correct fitting of the cable.

Insulation class: F/H.

Cable connection: Pg 11 for 5.6 to 10 mm cable.

The motor incorporates thermal overload or impedance protection. Therefore, no external motor protection is required.

### Sectional drawings

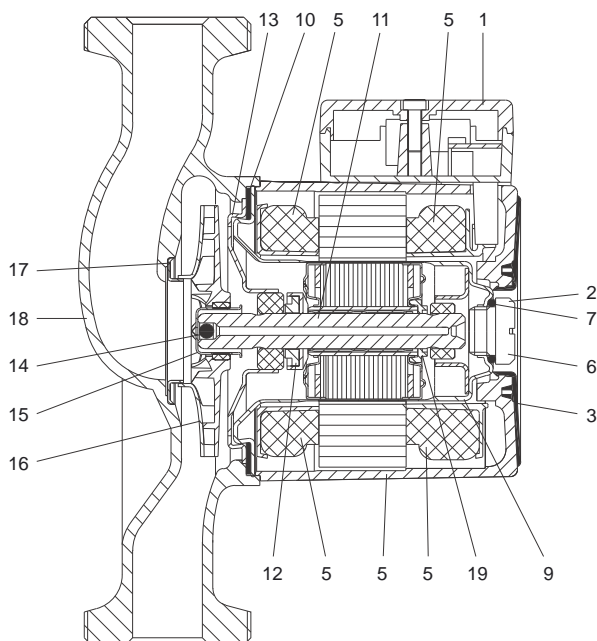


Fig. 4 Three-phase UP pump

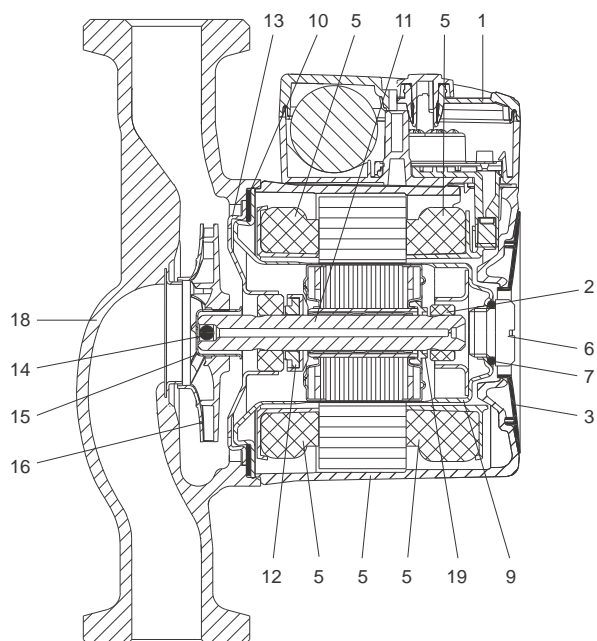


Fig. 5 Single-phase UP pump

TM06 3448 0415

TM06 3285 0415

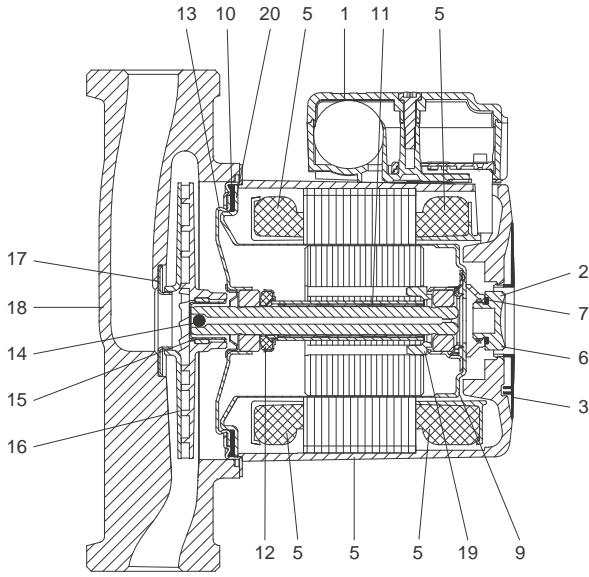


Fig. 6 UPS 25-120

TM06 3449 0415

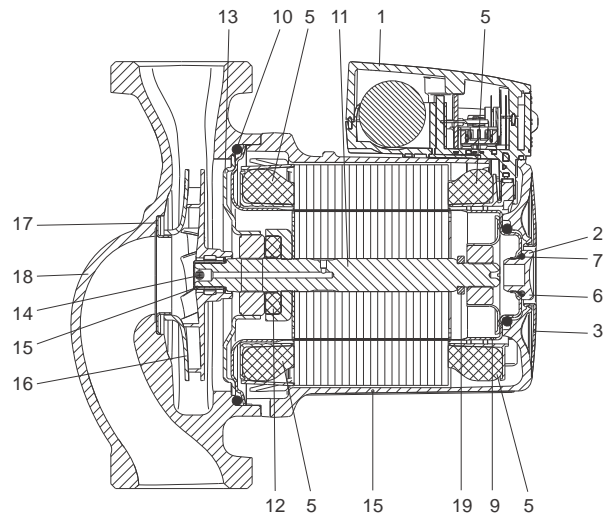


Fig. 7 UPS xx-100

TM06 3450 0415

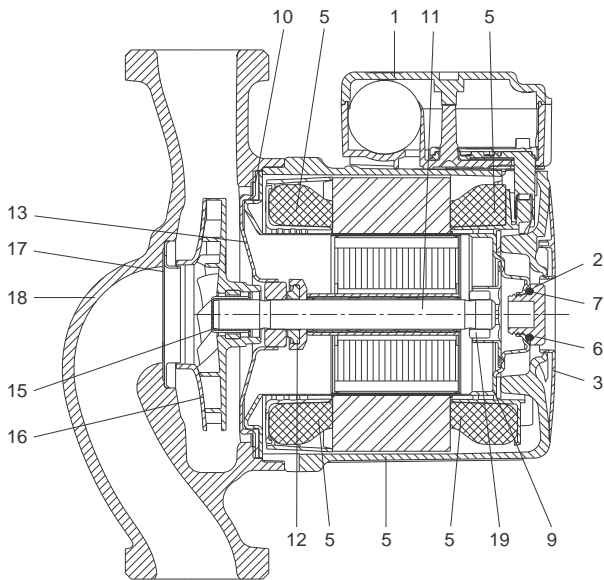


Fig. 8 UPS 25/32-25, -55, -80

TM06 5535 4915

## Material specification

Pos.	Component	Material	EN	AISI
1	Terminal box	Composite, PPE/PS		
	• Terminal box cover	Composite, PPE/PS		
	• Electric unit (single-phase only)	Composite, PET		
2	Radial bearing	Ceramics		
3	Nameplate	Composite, PA66		
5	Stator housing	Aluminium, AlSi10Cu <sub>2</sub>		
	• Stator winding cap	Composite, PET		
	• Stator windings	Copper		
6	Air vent screw	Brass, nickel-plated, Ms58	2.0401.30	
7, 10	Gaskets	EPDM rubber		
9	Rotor can	Stainless steel	1.4301/1.4521	304
11	Shaft, complete	Ceramics		
		Stainless steel for UPS xx-100	1.4404	316L
12	Thrust bearing	Carbon		
	• Thrust bearing retainer	EPDM rubber		
13	Bearing plate	Stainless steel	1.4301	304
14	Ball (non-return valve)	EPDM rubber		
15	Split cone	Stainless steel	1.4301	304
16	Impeller	Composite, PES/PP 30 % GF		
17	Neck ring	Stainless steel	1.4301	304
18	Pump housing	Cast iron	EN-JL1020 EN-JL1030	A48-25B A48-30B
		Stainless steel	1.4301	304
		Stainless steel	1.4308	CF8
19	Stop ring	Composite, PES		
	Non-return valve casing (twin-head pump)	Composite		
	Valve flap (twin-head pump)	EPDM rubber		
20	Intermediate ring	Stainless steel	1.4301	304

## 5. Installation

The pump must always be installed with horizontal motor shaft. At start-up, the rotor can must be vented by removing the plug in the top of the motor.

Within a short time, the rotor forces the remaining air out into the system via the shaft.



TM05 5204 3412

Fig. 9 Pumps with horizontal motor shaft

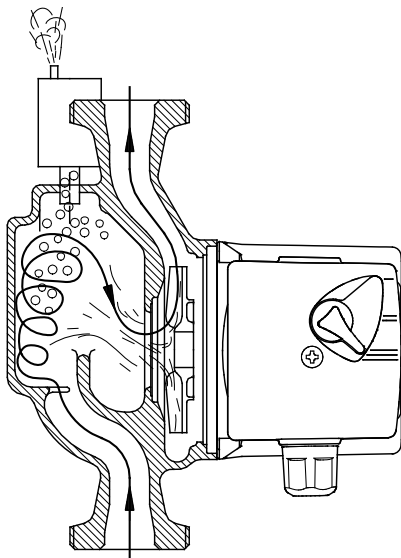
### Air separator pump

The pump housing with air separator is installed in systems where the liquid contains so much air that a circulator pump without air separator would be damaged or stop to circulate.

The air-containing liquid is guided from the suction port to the nozzle of the air-separating chamber. In the nozzle, the liquid is caused to circulate considerably in the relatively large chamber, thus creating a low pressure in the top of the chamber. This low pressure combined with the now reduced low velocity of the liquid will cause a separation of air from the liquid. Due to its lower density, the air will escape through an automatic air vent fitted to the air-separating chamber.

The air separator pump is only available for upward water flow.

The pump housing has an Rp 3/8 thread for the air vent. The air vent is not supplied with the pump.



TM00 8966 4296

Fig. 10 Air separator pump

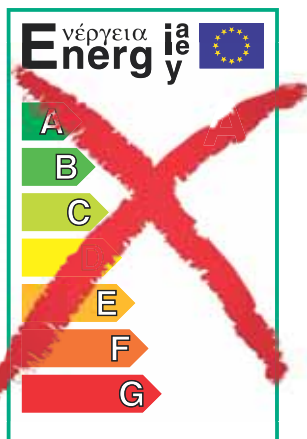
## 6. Performance curves and technical data

### Curve conditions

The guidelines below apply to the performance curves on the following pages:

- Test liquid: airless water.
- The measurements for UP and UPS have been made at a water temperature of 20 °C.
- All curves show average values and should not be used as guarantee curves. If a specific minimum performance is required, individual measurements must be made.
- The UP and UPS curves apply to a kinematic viscosity of  $\nu = 1 \text{ mm}^2/\text{s}$  (1 cSt).
- The conversion between head  $H$  [m] and pressure  $p$  [kPa] has been made for water with a density of  $\rho = 1000 \text{ kg/m}^3$ . For liquids with other densities, for example hot water, the discharge pressure is proportional to the density.

### Energy labelling



TM05 3936 1712

From 1 January 2013, the old A to G energy label will no longer be effective.

The new energy efficiency index (EEI) must be stated on circulator pumps in order to sell them in the EU.

UPS circulator pumps with pump housing in stainless steel are not covered by the EuP requirements from 2013 as these are drinking water circulators specifically designed to be used in the recirculation of water intended for human consumption<sup>1</sup>.

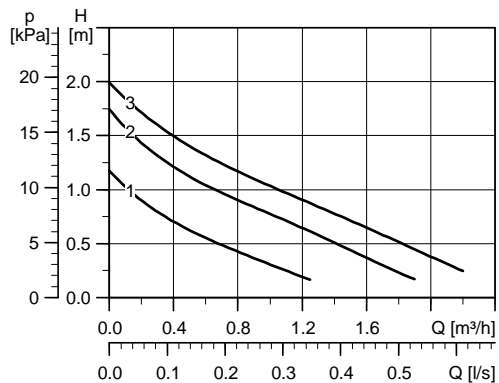
Circulator pumps for domestic hot-water systems are not covered by the EuP requirements from 2013 as the pumps are suitable for drinking water only and must therefore be used for purposes as such<sup>2</sup>.

1: Commission Regulation (EU) No 622/2012, definitions (6).

2: Commission Regulation (EU) No 622/2012, subject matter and scope 2. (a).

## 7. Data sheets

### UPS 15-20, UPS 25-20, UPS 32-20

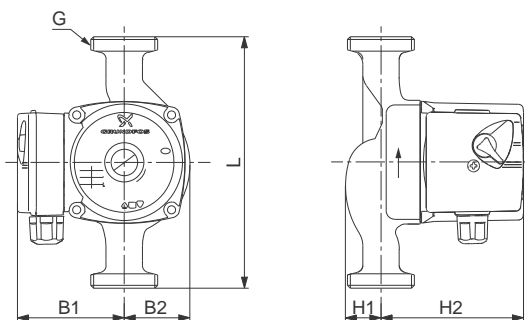


TM00 9756 4708

#### Electrical data 1 x 230 V, 50 Hz

Speed	P1 [W]	I <sub>1/1</sub> [A]
3	65	0.26
2	40	0.18
1	25	0.11

#### Dimensions



TM00 9386 4512

Connections: See [Pipe connections](#), page 85.

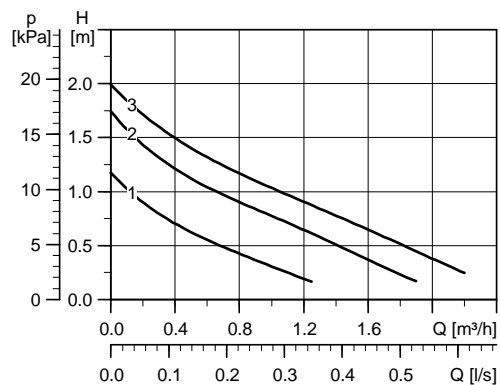
System pressure: Max. 10 bar

Liquid temperature: +2 to +110 °C (TF 110)

Pump type	Dimensions [mm]						Weights [kg]		Shipping volume [m <sup>3</sup> ]
	L	H1	H2	B1	B2	G	Net	Gross	
UPS 15-20	130	32	102	75	47	1"	2.4	2.6	0.004
UPS 25-20	130	32	102	75	47	1 1/2"	2.4	2.6	0.004
UPS 25-20	160	32	102	75	47	1 1/2"	2.5	2.7	0.004
UPS 25-20	180	32	102	75	47	1 1/2"	2.4	2.6	0.004
UPS 32-20	180	39	102	75	47	2"	2.6	2.8	0.004



## UPS 25-20 A

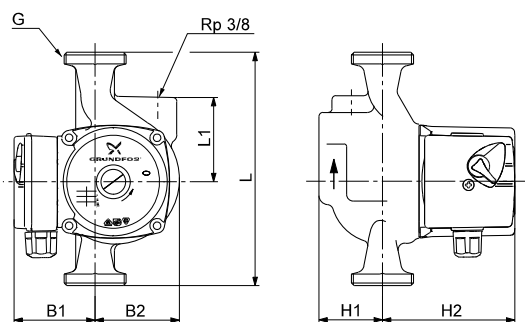


TM00 9756 4708

### Electrical data 1 x 230 V, 50 Hz

Speed	P1 [W]	I <sub>1/1</sub> [A]
3	65	0.26
2	40	0.18
1	25	0.11

### Dimensions

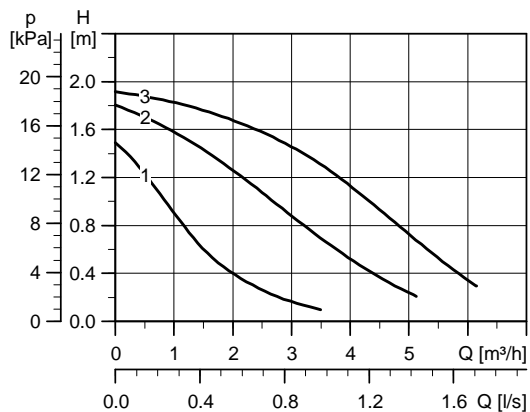


TM00 8931 4512

Connections: See [Pipe connections](#), page 85.  
 System pressure: Max. 10 bar  
 Liquid temperature: +2 to +110 °C (TF 110)  
 Air separator, type A: Rp 3/8 thread for the air vent. The air vent is not supplied with the pump.

Pump type	Dimensions [mm]							Weights [kg]		Shipping volume [m <sup>3</sup> ]
	L	L1	H1	H2	B1	B2	G	Net	Gross	
UPS 25-20 A	180	65	49	112	61	65	1 1/2"	3.5	3.7	0.0053

## UPS 36-20 F



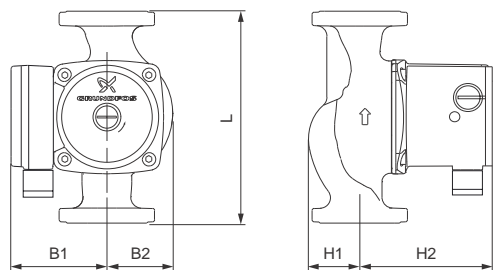
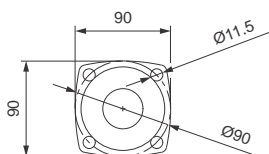
TM04 3811 2409

### Electrical data 1 x 230 V, 50 Hz

Speed	P1 [W]	I <sub>1/1</sub> [A]
3	50	0.22
2	40	0.18
1	25	0.12

The pump incorporates overload protection.

### Dimensions



TM06 5382 4515

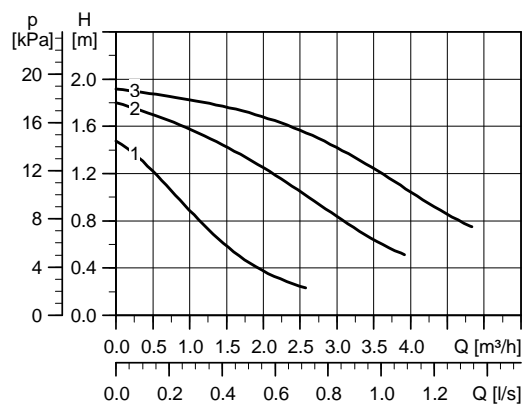
Connections: See [Pipe connections](#), page 85.

System pressure: Max. 10 bar

Liquid temperature: -25 to +110 °C (TF 110)

Pump type	Dimensions [mm]					G	Weights [kg]		Shipping volume [m³]
	L	H1	H2	B1	B2		Net	Gross	
UPS 36-20 F	200	48	121	82	62	-	5.6	5.9	0.010

## UPS 25-25



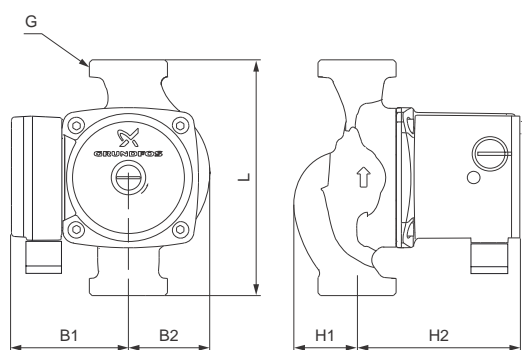
TM04 3750 2409

### Electrical data 1 x 230 V, 50 Hz

Speed	P1 [W]	I <sub>1/1</sub> [A]
3	50	0.22
2	40	0.18
1	25	0.12

The pump incorporates overload protection.

### Dimensions



TM06 5360 4515

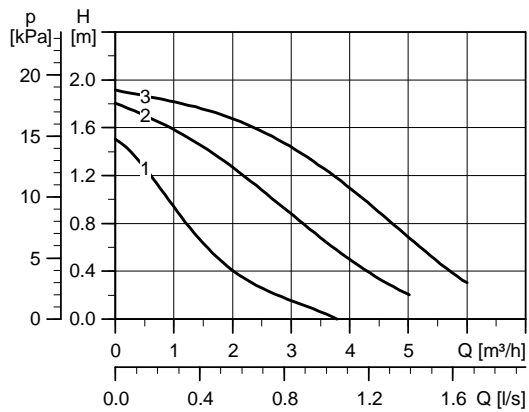
Connections: See [Pipe connections](#), page 85.

System pressure: Max. 10 bar

Liquid temperature: -25 to +110 °C (TF 110)

Pump type	Dimensions [mm]						Weights [kg]		Shipping volume [m <sup>3</sup> ]
	L	H1	H2	B1	B2	G	Net	Gross	
UPS 25-25	180	46	121	82	62	1 1/2"	4.4	4.6	0.008

## UPS 32-25



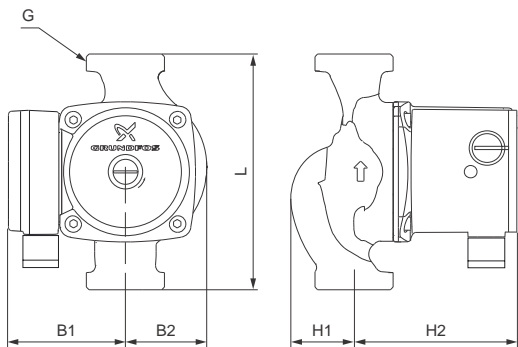
TM04 3759 2409

### Electrical data 1 x 230 V, 50 Hz

Speed	P1 [W]	I <sub>1/1</sub> [A]
3	50	0.22
2	40	0.18
1	25	0.12

The pump incorporates overload protection.

### Dimensions

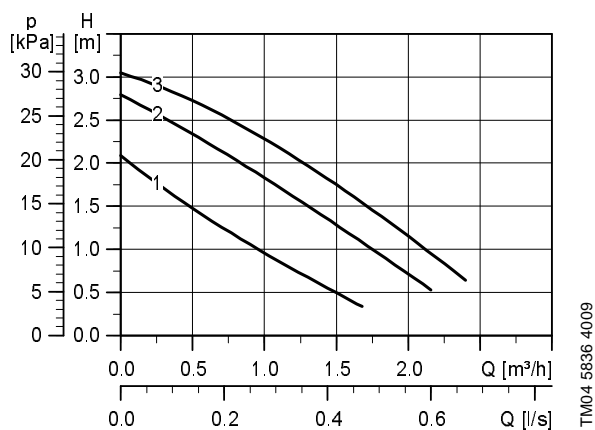


TM06 5360 4515

Connections: See [Pipe connections](#), page 85.  
 System pressure: Max. 10 bar  
 Liquid temperature: -25 to +110 °C (TF 110)

Pump type	Dimensions [mm]						Weights [kg]		Shipping volume [m³]
	L	H1	H2	B1	B2	G	Net	Gross	
UPS 32-25	180	48	125	85	62	2"	4.5	4.8	0.008

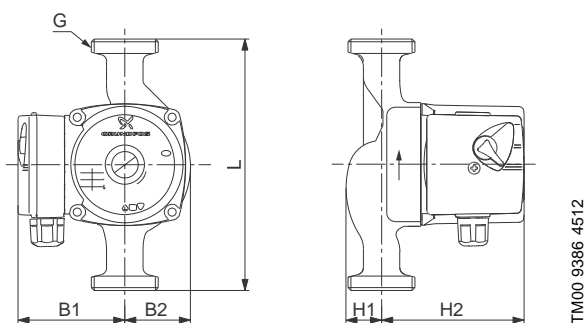
## UPS 15-30, UPS 25-30, UPS 32-30



### Electrical data 1 x 230 V, 50 Hz

Speed	P1 [W]	I <sub>1/1</sub> [A]
3	55	0.24
2	35	0.17
1	25	0.11

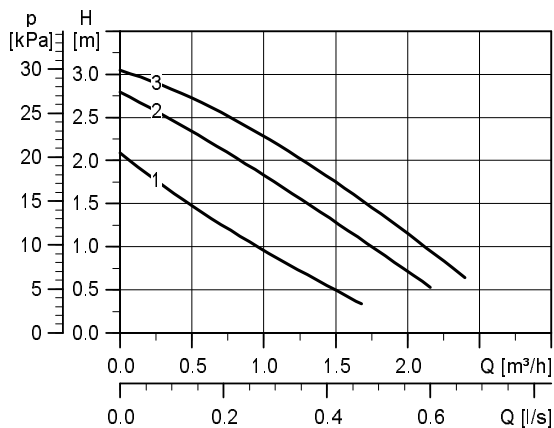
### Dimensions



Connections: See [Pipe connections](#), page 85.  
 System pressure: Max. 10 bar  
 Liquid temperature: +2 to +110 °C (TF 110)

Pump type	Dimensions [mm]						Weights [kg]		Shipping volume [m <sup>3</sup> ]
	L	H1	H2	B1	B2	G	Net	Gross	
UPS 15-30	130	28	102	75	47	1"	2.3	2.5	0.004
UPS 25-30	180	32	102	75	47	1 1/2"	2.6	2.8	0.004
UPS 32-30	180	39	102	75	47	2"	2.6	2.8	0.004

## UPS 25-30 A

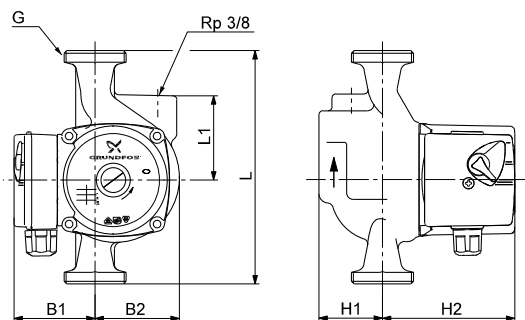


TM04 5836 4009

### Electrical data 1 x 230 V, 50 Hz

Speed	P1 [W]	I <sub>1/1</sub> [A]
3	55	0.24
2	35	0.17
1	25	0.11

### Dimensions

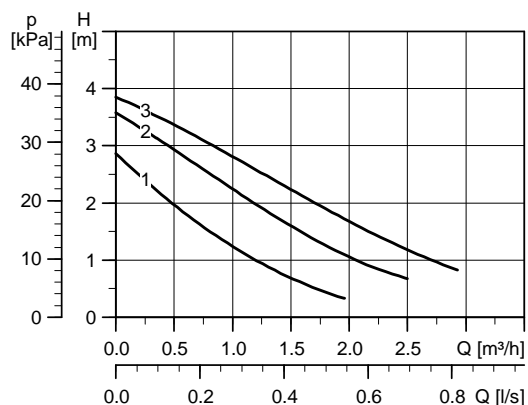


TM00 8931 4512

Connections: See [Pipe connections](#), page 85.  
 System pressure: Max. 10 bar  
 Liquid temperature: +2 to +110 °C (TF 110)  
 Air separator, type A: Rp 3/8 thread for the air vent. The air vent is not supplied with the pump.

Pump type	Dimensions [mm]							Weights [kg]		Shipping volume [m <sup>3</sup> ]
	L	L1	H1	H2	B1	B2	G	Net	Gross	
UPS 25-30 A	180	65	49	112	61	65	1 1/2"	3.5	3.7	0.0053

## UPS 15-40, UPS 20-40, UPS 25-40 (N), UPS 32-40

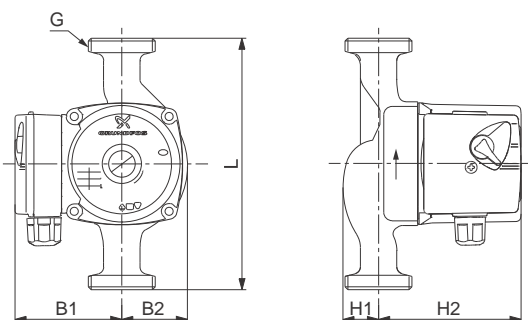


TM00 9749 4708

### Electrical data 1 x 230 V, 50 Hz

Speed	P1 [W]	I <sub>1/I1</sub> [A]
3	45	0.20
2	35	0.16
1	25	0.12

### Dimensions



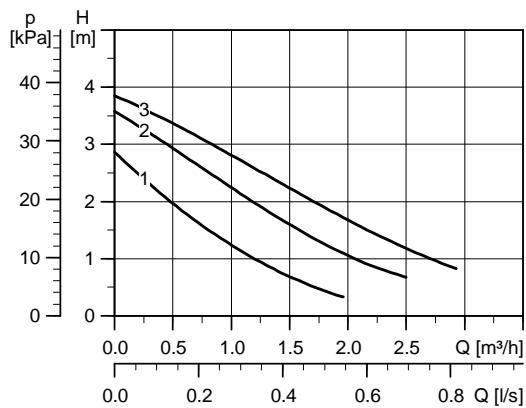
TM00 9386 4512

Connections: See [Pipe connections](#), page 85.  
 System pressure: Max. 10 bar  
 Liquid temperature: +2 to +110 °C (TF 110)  
 Also available with: Stainless-steel pump housing, type N (only UPS 25-40 180)

Pump type	Dimensions [mm]					Weights [kg]		Shipping volume [m <sup>3</sup> ]	
	L	H1	H2	B1	B2	G	Net		Gross
UPS 15-40	130	28	102	75	47	1"	2.3	2.5	0.004
UPS 20-40	130	28	102	75	47	1 1/4"	2.6	2.8	0.004
UPS 25-40	130	32	102	75	47	1 1/2"	2.4	2.6	0.004
UPS 25-40	160	32	102	75	47	1 1/2"	2.5	2.7	0.004
UPS 25-40	180	32	102	75	47	1 1/2"	2.6	2.8	0.004
UPS 25-40 N*	180	32	102	75	51	1 1/2"	2.6	2.8	0.004
UPS 32-40	180	39	102	75	47	2"	2.6	2.8	0.004

\* This circulator is suitable for drinking water only.

## UPS 25-40 A

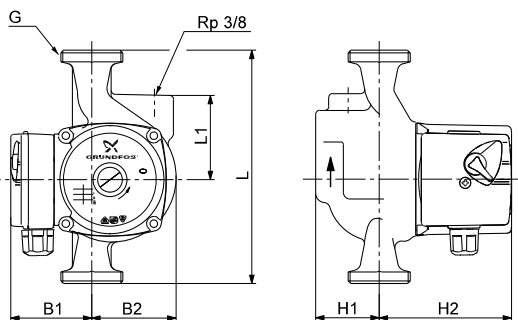


TM00 9749 4708

### Electrical data 1 x 230 V, 50 Hz

Speed	P1 [W]	I <sub>1/I1</sub> [A]
3	45	0.20
2	35	0.16
1	25	0.12

### Dimensions



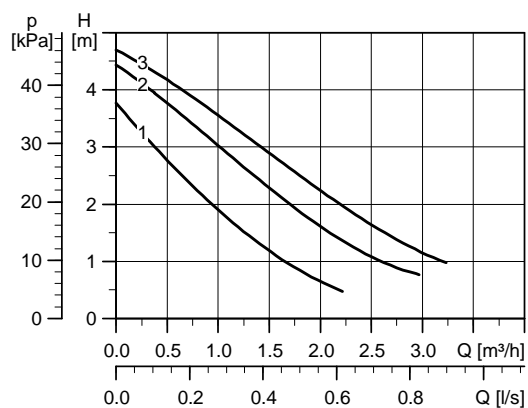
TM00 8931 4512

Connections: See [Pipe connections](#), page 85.  
 System pressure: Max. 10 bar  
 Liquid temperature: +2 to +110 °C (TF 110)  
 Air separator, type A: Rp 3/8 thread for the air vent. The air vent is not supplied with the pump.

Pump type	Dimensions [mm]						Weights [kg]		Shipping volume [m³]	
	L	L1	H1	H2	B1	B2	G	Net		Gross
UPS 25-40 A	180	65	49	112	61	65	1 1/2"	3.5	3.7	0.0053



## UPS 15-50 (N), UPS 20-50, UPS 25-50, UPS 32-50

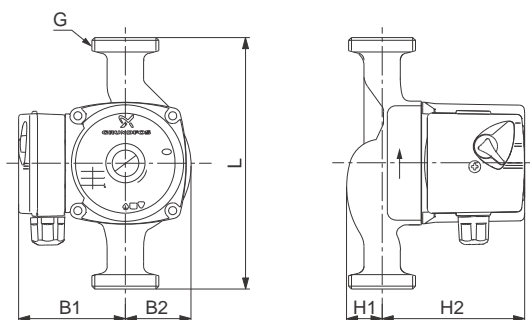


TM00 9750 2105

### Electrical data 1 x 230 V, 50 Hz

Speed	P1 [W]	I <sub>1/1</sub> [A]
3	50	0.23
2	45	0.20
1	35	0.16

### Dimensions



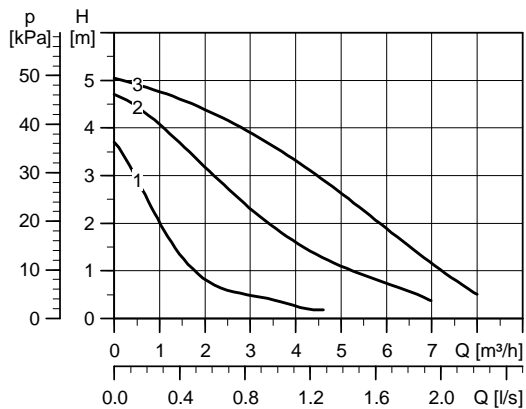
TM00 9386 4512

Connections: See [Pipe connections](#), page 85.  
 System pressure: Max. 10 bar  
 Liquid temperature: +2 to +110 °C (TF 110)  
 Also available with: Stainless-steel pump housing, type N (only UPS 15-50 130)

Pump type	Dimensions [mm]						Weights [kg]		Shipping volume [m <sup>3</sup> ]
	L	H1	H2	B1	B2	G	Net	Gross	
UPS 15-50	130	28	102	75	47	1"	2.4	2.5	0.004
UPS 15-50 N*	130	28	102	75	51	1"	1.9	2.4	0.004
UPS 20-50	130	28	102	75	47	1 1/4"	2.6	2.8	0.004
UPS 25-50	130	32	102	75	47	1 1/2"	2.4	2.6	0.004
UPS 25-50	160	32	102	75	47	1 1/2"	2.5	2.7	0.004
UPS 25-50	180	32	102	75	47	1 1/2"	2.6	2.8	0.004
UPS 32-50	180	39	102	75	47	2"	2.6	2.8	0.004

\* This circulator is suitable for drinking water only.

## UPS 32-50 F, UPS 40-50 FN

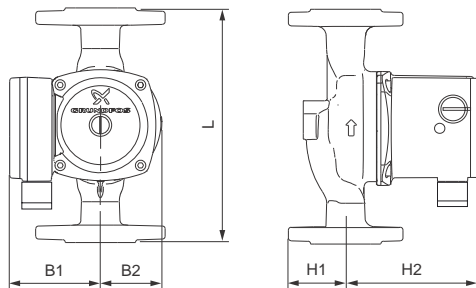
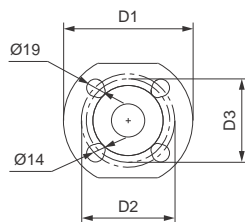


TM04 3760 2409

### Electrical data 1 x 230 V, 50 Hz

Speed	P1 [W]	I <sub>1/1</sub> [A]
3	105	0.46
2	100	0.44
1	75	0.32

### Dimensions



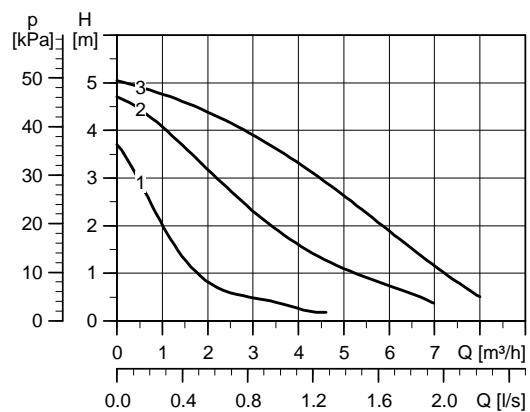
TM06 5394 4515

Connections: See [Pipe connections](#), page 85.  
 System pressure: Max. 10 bar  
 Liquid temperature: -25 to +110 °C (TF 110)  
 Also available with: Stainless-steel pump housing, type N (only UPS 40-50 F 250)

Pump type	Dimensions [mm]									Weights [kg]		Shipping volume [m <sup>3</sup> ]
	L	D1	D2	D3	H1	H2	B1	B2	G	Net	Gross	
UPS 32-50 F	220	140	100	90	62	121	82	62	-	7.4	7.7	0.010
UPS 40-50 F	250	150	110	100	67	121	82	62	-	7.8	8.5	0.011
UPS 40-50 FN*	250	150	110	100	67	121	82	62	-	8.4	8.9	0.011

\* This circulator is suitable for drinking water only.

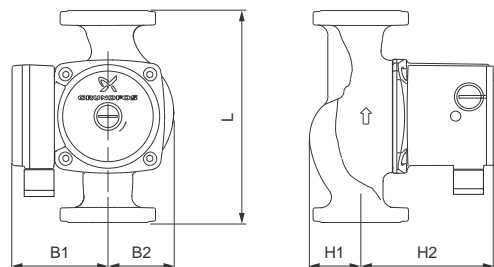
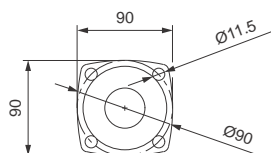
## UPS 36-50 F



### Electrical data 1 x 230 V, 50 Hz

Speed	P1 [W]	I <sub>1/1</sub> [A]
3	105	0.46
2	100	0.44
1	75	0.32

### Dimensions



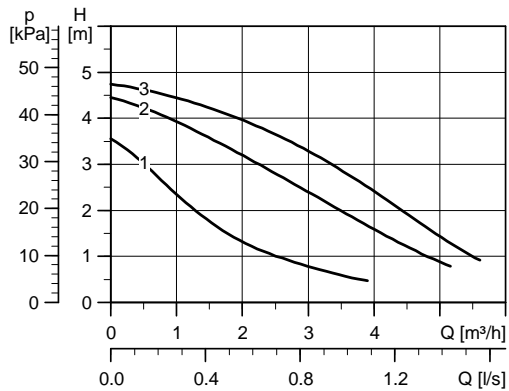
Connections: See [Pipe connections](#), page 85.

System pressure: Max. 10 bar

Liquid temperature: -25 to +110 °C (TF 110)

Pump type	Dimensions [mm]						Weights [kg]		Shipping volume [m <sup>3</sup> ]
	L	H1	H2	B1	B2	G	Net	Gross	
UPS 36-50 F	200	48	121	82	62	-	5.7	6.3	0.010

## UPS 25-55 (N)

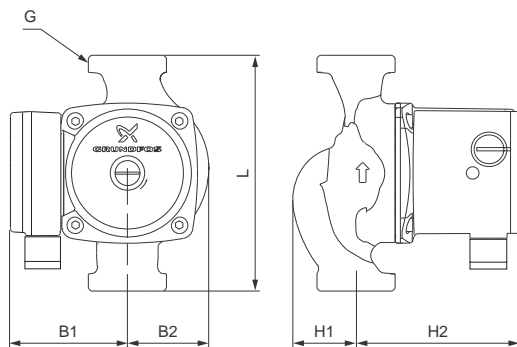


TM04 3751 2409

### Electrical data 1 x 230 V, 50 Hz

Speed	P1 [W]	I <sub>1/1</sub> [A]
3	85	0.38
2	80	0.36
1	65	0.30

### Dimensions



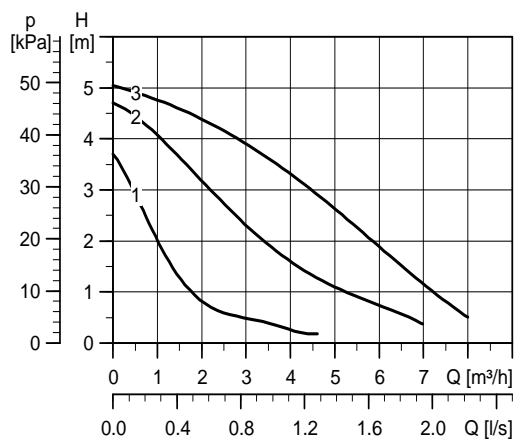
TM06 5360 4515

Connections: See [Pipe connections](#), page 85.  
 System pressure: Max. 10 bar  
 Liquid temperature: -25 to +110 °C (TF 110)  
 Also available with: Stainless-steel pump housing, type N (only UPS 25-55 180)

Pump type	Dimensions [mm]						Weights [kg]		Shipping volume [m³]
	L	H1	H2	B1	B2	G	Net	Gross	
UPS 25-55 (N)*	180	46	121	82	62	1 1/2"	4.7	5.4	0.008

\* N-version: This circulator is suitable for drinking water only.

## UPS 32-55 (N)

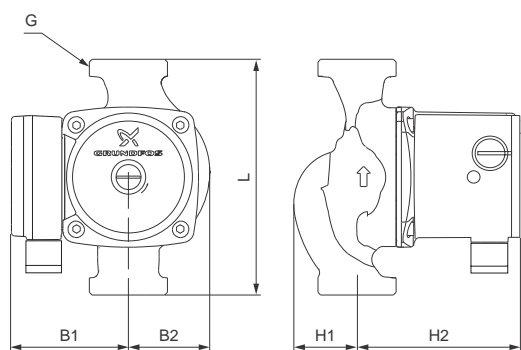


TM04 3760 2409

### Electrical data 1 x 230 V, 50 Hz

Speed	P1 [W]	I <sub>1/1</sub> [A]
3	105	0.46
2	100	0.44
1	75	0.32

### Dimensions



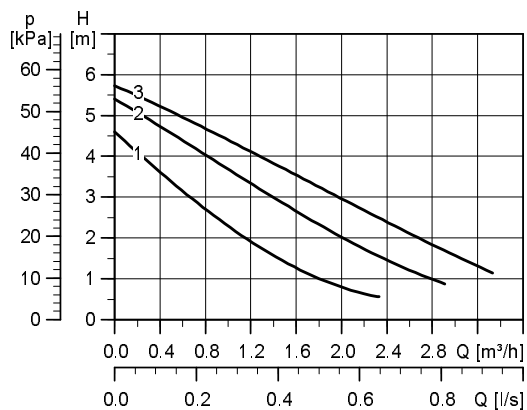
TM06 5360 4515

Connections: See [Pipe connections](#), page 85.  
 System pressure: Max. 10 bar  
 Liquid temperature: -25 to +110 °C (TF 110)  
 Also available with: Stainless-steel pump housing, type N (only UPS 32-55 180)

Pump type	Dimensions [mm]						Weights [kg]		Shipping volume [m <sup>3</sup> ]
	L	H1	H2	B1	B2	G	Net	Gross	
UPS 32-55	180	48	121	82	62	2"	4.6	4.9	0.008
UPS 32-55 N*	180	48	121	82	62	2"	4.9	5.4	0.008

\* This circulator is suitable for drinking water only.

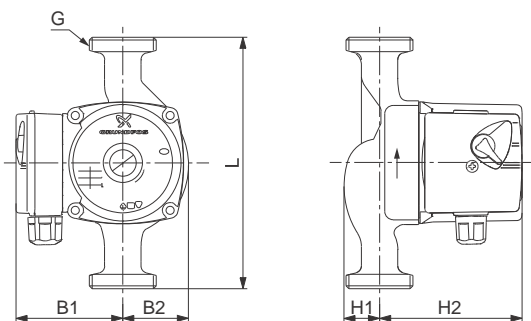
## UPS 15-60, UPS 20-60 (N)



### Electrical data 1 x 230 V, 50 Hz

Speed	P1 [W]	I <sub>1/I1</sub> [A]
3	105	0.46
2	100	0.44
1	65	0.32

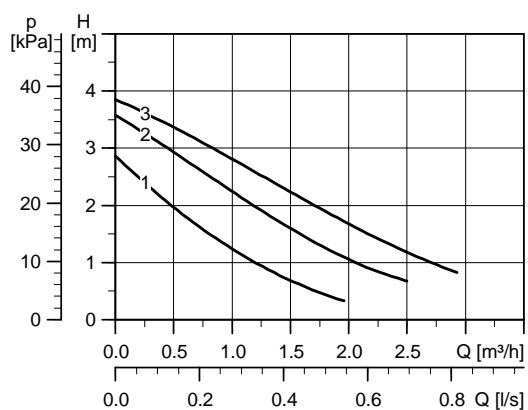
### Dimensions



Connections: See [Pipe connections](#), page 85.  
 System pressure: Max. 10 bar  
 Liquid temperature: +2 to +110 °C (TF 110)  
 Also available with: Stainless-steel pump housing, type N (only UPS 20-60 130)

Pump type	Dimensions [mm]						Weights [kg]		Shipping volume [m <sup>3</sup> ]
	L	H1	H2	B1	B2	G	Net	Gross	
UPS 15-60	130	28	102	75	47	1"	2.3	2.5	0.004
UPS 20-60	130	28	102	75	47	1 1/4"	2.4	2.6	0.004

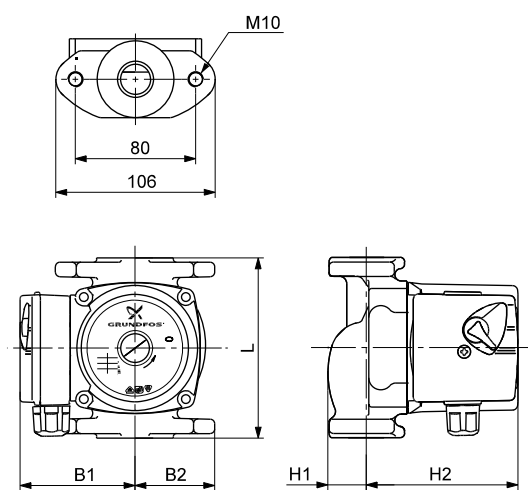
## UPS 21-40 F



### Electrical data 1 x 230 V, 50 Hz

Speed	P1 [W]	I <sub>1/I1</sub> [A]
3	45	0.20
2	35	0.16
1	25	0.12

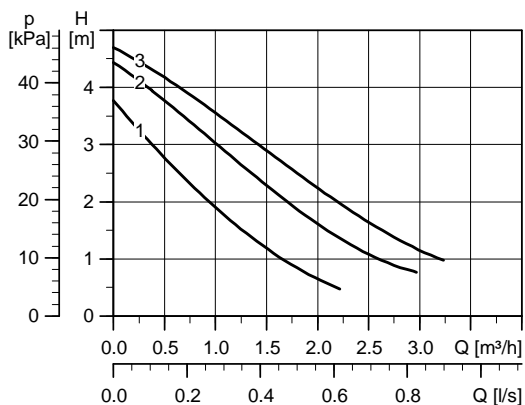
### Dimensions



Connections: See [Pipe connections](#), page 85.  
 System pressure: Max. 10 bar  
 Liquid temperature: +2 to +110 °C (TF 110)

Pump type	Dimensions [mm]						Weights [kg]		Shipping volume [m <sup>3</sup> ]
	L	H1	H2	B1	B2	G	Net	Gross	
UPS 21-40 F	120	32	102	75	53	-	2.9	3.1	0.004

## UPS 21-50 F

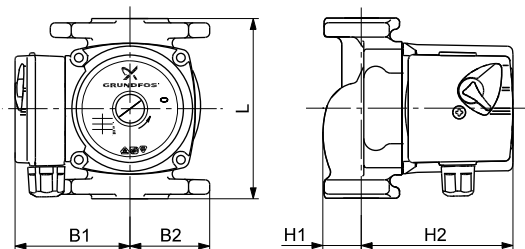
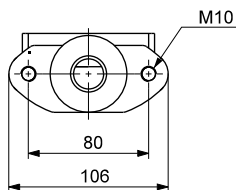


TM00 9750 4708

## Electrical data 1 x 230 V, 50 Hz

Speed	P1 [W]	I <sub>1/I</sub> [A]
3	50	0.23
2	45	0.20
1	35	0.16

## Dimensions



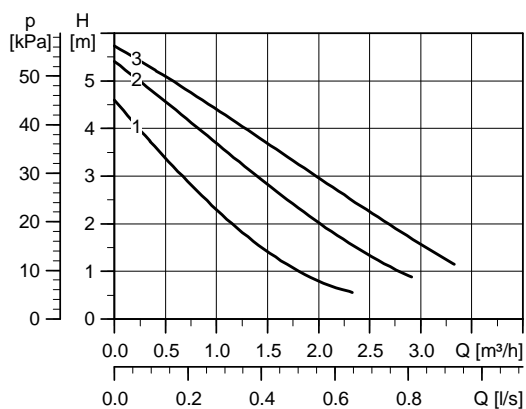
TM00 8929 4512

Connections: See [Pipe connections](#), page 85.  
 System pressure: Max. 10 bar  
 Liquid temperature: +2 to +110 °C (TF 110)

Pump type	Dimensions [mm]						Weights [kg]		Shipping volume [m <sup>3</sup> ]
	L	H1	H2	B1	B2	G	Net	Gross	
UPS 21-50 F	120	32	102	75	53	-	2.9	3.1	0.004



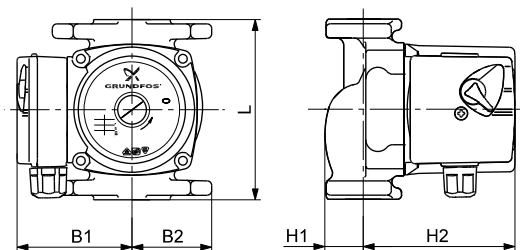
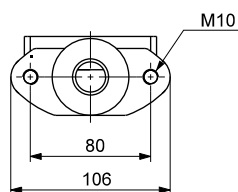
## UPS 21-60 F



### Electrical data 1 x 230 V, 50 Hz

Speed	P1 [W]	I <sub>1/I1</sub> [A]
3	70	0.30
2	60	0.27
1	50	0.22

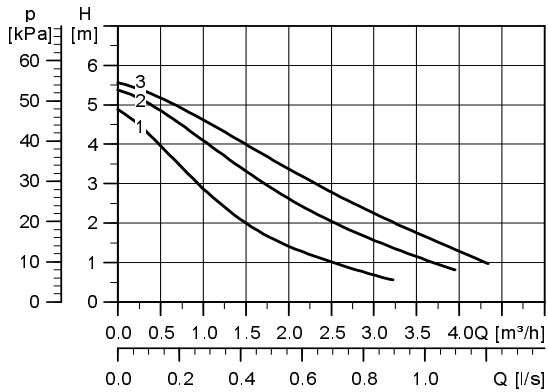
### Dimensions



Connections: See [Pipe connections](#), page 85.  
 System pressure: Max. 10 bar  
 Liquid temperature: +2 to +110 °C (TF 110)

Pump type	Dimensions [mm]						Weights [kg]		Shipping volume [m <sup>3</sup> ]
	L	H1	H2	B1	B2	G	Net	Gross	
UPS 21-60 F	120	32	102	75	53	-	2.9	3.1	0.004

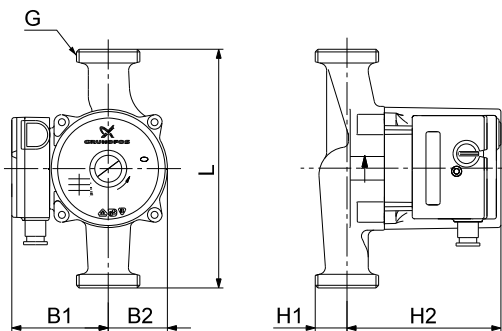
## UPS 25-60 (N)



### Electrical data 1 x 230 V, 50 Hz

Speed	P1 [W]	I <sub>1/1</sub> [A]
3	60	0.28
2	55	0.25
1	50	0.21

### Dimensions

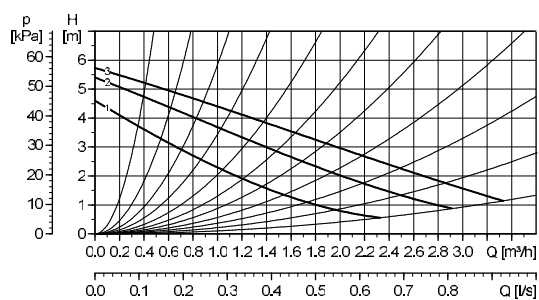


Connections: See [Pipe connections](#), page 85.  
 System pressure: Max. 10 bar  
 Liquid temperature: +2 to +110 °C (TF 110)  
 Also available with: Stainless-steel pump housing, type N (only UPS 25-60 180)

Pump type	Dimensions [mm]						Weights [kg]		Shipping volume [m <sup>3</sup> ]
	L	H1	H2	B1	B2	G	Net	Gross	
UPS 25-60	130	32	102	75	47	1 1/2"	2.4	2.6	0.004
UPS 25-60	180	38	96	75	50	1 1/2"	2.6	2.8	0.004
UPS 25-60 N*	180	39	96	75	51	1 1/2"	2.0	3.0	0.004

\* This circulator is suitable for drinking water only.

## UPS 25-60 A

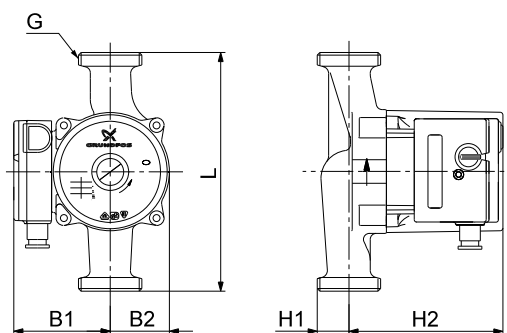


TM03 1062 1005

### Electrical data 1 x 230 V, 50 Hz

Speed	P1 [W]	I <sub>1/1</sub> [A]
3	70	0.30
2	60	0.27
1	50	0.22

### Dimensions

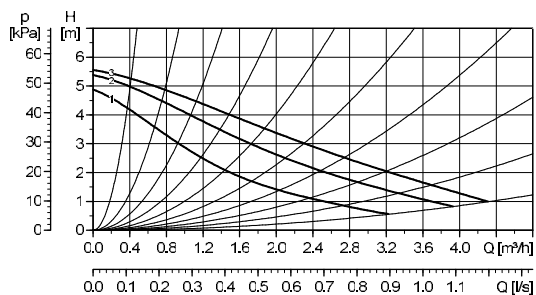


TM00 8945 2305

Connections: See [Pipe connections](#), page 85.  
 System pressure: Max. 10 bar  
 Liquid temperature: +2 to +110 °C (TF 110)  
 Air separator, type A: Rp 3/8 thread for the air vent. The air vent is not supplied with the pump.

Pump type	Dimensions [mm]						Weights [kg]		Shipping volume [m <sup>3</sup> ]
	L	H1	H2	B1	B2	G	Net	Gross	
UPS 25-60 A	180	49	112	61	65	1 1/2"	3.5	3.7	0.0053

## UPS 32-60

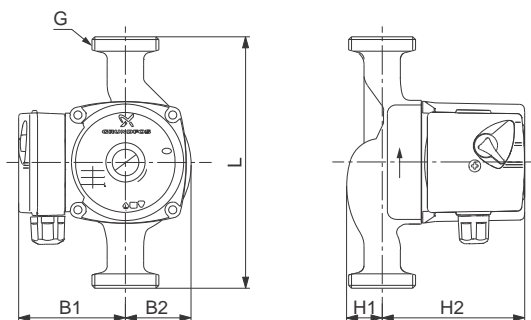


TM04 3589 4608

### Electrical data 1 x 230 V, 50 Hz

Speed	P1 [W]	I <sub>1/1</sub> [A]
3	60	0.28
2	55	0.25
1	50	0.21

### Dimensions

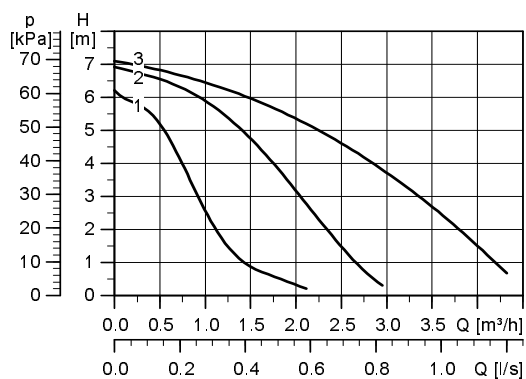


TM00 9386 4512

Connections: See [Pipe connections](#), page 85.  
 System pressure: Max. 10 bar  
 Liquid temperature: +2 to +110 °C (TF 110)

Pump type	Dimensions [mm]					Weights [kg]		Shipping volume [m <sup>3</sup> ]	
	L	H1	H2	B1	B2	G	Net		Gross
UPS 32-60	180	38	96	75	50	2"	2.6	2.8	0.004

## UPS 25-70, UPS 32-70

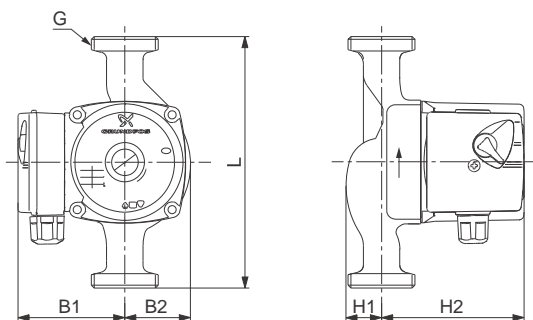


TM04 5007 2409

### Electrical data 1 x 230 V, 50 Hz

Speed	P1 [W]	I <sub>1/1</sub> [A]
3	140	0.62
2	120	0.56
1	95	0.45

### Dimensions

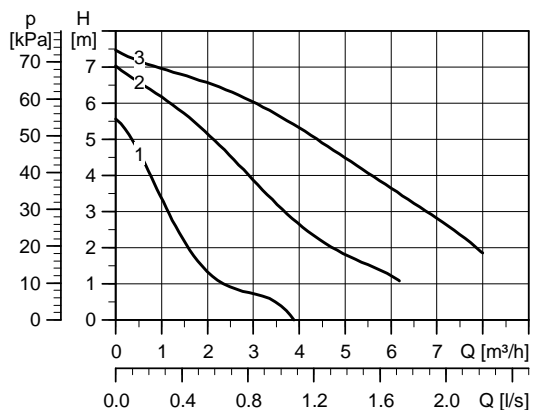


TM00 9386 4512

Connections: See [Pipe connections](#), page 85.  
 System pressure: Max. 10 bar  
 Liquid temperature: +2 to +95 °C (TF 95)

Pump type	Dimensions [mm]						Weights [kg]		Shipping volume [m <sup>3</sup> ]
	L	H1	H2	B1	B2	G	Net	Gross	
UPS 25-70	130	32	102	75	47	1 1/2"	2.4	2.6	0.004
UPS 25-70	180	32	102	75	47	1 1/2"	2.4	2.6	0.004
UPS 32-70	180	32	102	75	47	2"	2.6	2.8	0.004

## UPS 25-80 (N)

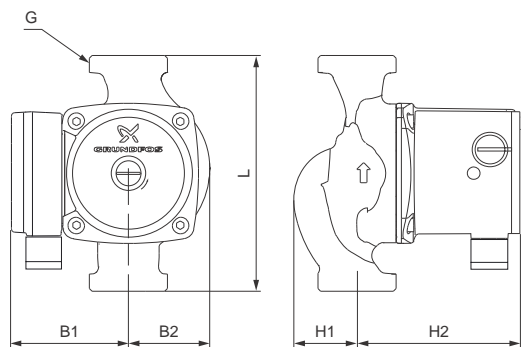


TM04 3754 2409

### Electrical data 1 x 230 V, 50 Hz

Speed	P1 [W]	I <sub>1/1</sub> [A]
3	165	0.70
2	155	0.70
1	110	0.50

### Dimensions



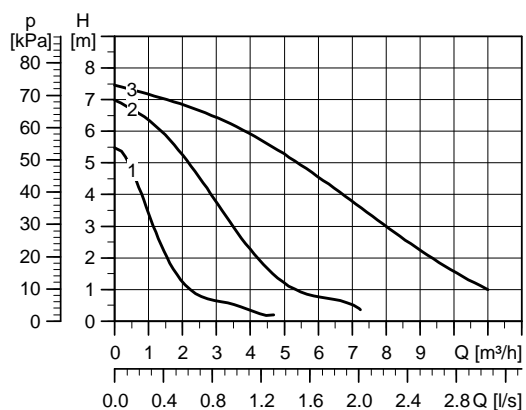
TM06 5360 4515

Connections: See [Pipe connections](#), page 85.  
 System pressure: Max. 10 bar  
 Liquid temperature: -25 to +110 °C (TF 110)  
 Also available with: Stainless-steel pump housing, type N (only UPS 25-80 180)

Pump type	Dimensions [mm]						Weights [kg]		Shipping volume [m <sup>3</sup> ]
	L	H1	H2	B1	B2	G	Net	Gross	
UPS 25-80 (N)*	180	46	121	82	62	1 1/2"	4.4	5.2	0.008

\* N-version: This circulator is suitable for drinking water only.

## UPS 32-80 (N)

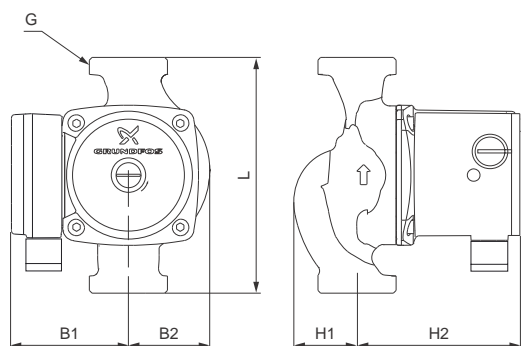


TM04 3761 2409

### Electrical data 1 x 230 V, 50 Hz

Speed	P1 [W]	I <sub>1/1</sub> [A]
3	220	0.98
2	200	0.90
1	135	0.60

### Dimensions



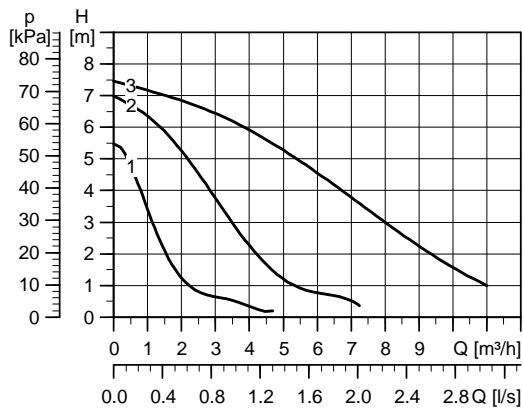
TM06 5360 4515

Connections: See [Pipe connections](#), page 85.  
 System pressure: Max. 10 bar  
 Liquid temperature: -25 to +110 °C (TF 110)  
 Also available with: Stainless-steel pump housing, type N (only UPS 32-80 180)

Pump type	Dimensions [mm]					Weights [kg]		Shipping volume [m <sup>3</sup> ]	
	L	H1	H2	B1	B2	G	Net		Gross
UPS 32-80	180	48	121	82	62	2"	4.6	5.0	0.008
UPS 32-80 N*	180	48	121	82	62	2"	4.9	5.2	0.008

\* This circulator is suitable for drinking water only.

## UPS 32-80 F, UPS 40-80 F (N)

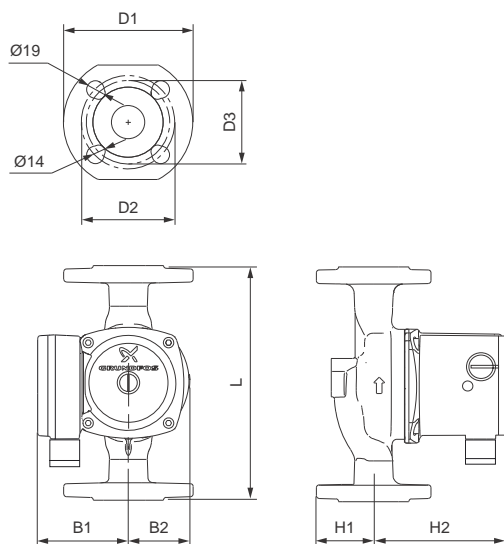


TM04 3761 2409

### Electrical data 1 x 230 V, 50 Hz

Speed	P1 [W]	I <sub>1/I1</sub> [A]
3	220	0.98
2	200	0.90
1	135	0.60

### Dimensions



TM06 5394 4515

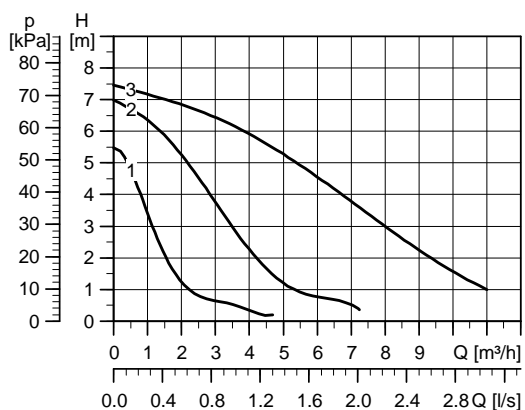
Connections: See [Pipe connections](#), page 85.  
 System pressure: Max. 10 bar  
 Liquid temperature: -25 to +110 °C (TF 110)  
 Also available with: Stainless-steel pump housing, type N (only UPS 40-80 F 250)

Pump type	Dimensions [mm]									Weights [kg]		Shipping volume [m³]
	L	D1	D2	D3	H1	H2	B1	B2	G	Net	Gross	
UPS 32-80 F	220	140	100	90	62	121	82	62	-	7.5	7.9	0.010
UPS 40-80 F	250	150	110	100	67	121	82	62	-	8.1	8.6	0.011
UPS 40-80 FN*	250	150	110	100	67	121	82	62	-	8.5	8.9	0.011

\* This circulator is suitable for drinking water only.



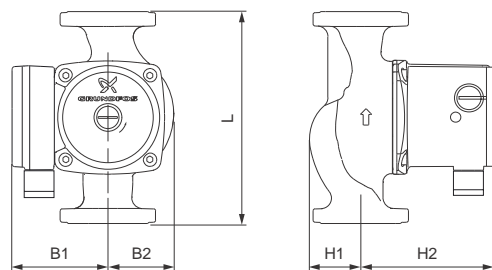
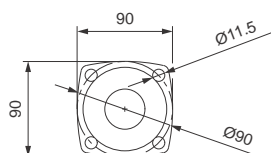
## UPS 36-80 F



### Electrical data 1 x 230 V, 50 Hz

Speed	P1 [W]	I <sub>1/1</sub> [A]
3	220	0.98
2	200	0.90
1	135	0.60

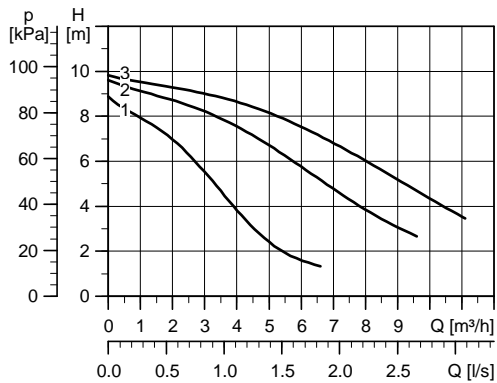
### Dimensions



Connections: See [Pipe connections](#), page 85.  
 System pressure: Max. 10 bar  
 Liquid temperature: -25 to +110 °C (TF 110)

Pump type	Dimensions [mm]						Weights [kg]		Shipping volume [m <sup>3</sup> ]
	L	H1	H2	B1	B2	G	Net	Gross	
UPS 36-80 F	200	48	125	85	62	-	5.7	6.1	0.010

## UPS 25-100, UPS 32-100 (N)



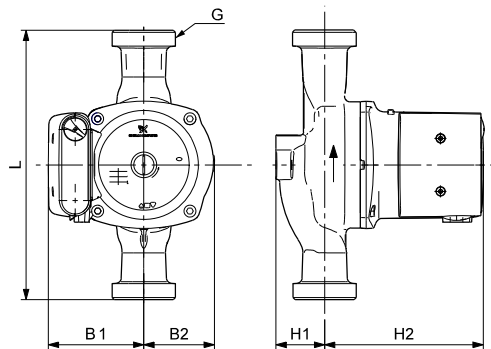
TM04 3614 4708

### Electrical data 1 x 230 V, 50 Hz

Speed	P1 [W]	I <sub>1/1</sub> [A]
3	345	1.52
2	340	1.50
1	280	1.30

The pump has a built-in thermal switch and requires no additional motor protection.

### Dimensions



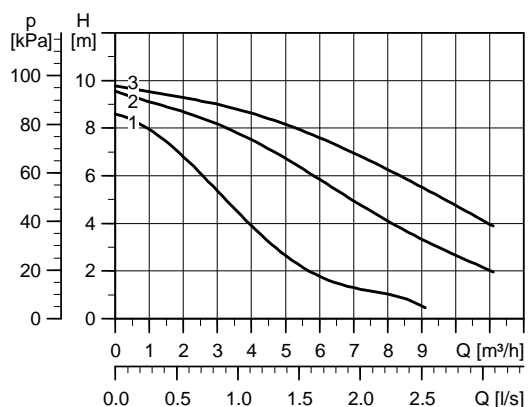
TM04 2809 4512

Connections: See [Pipe connections](#), page 85.  
 System pressure: Max. 10 bar  
 Liquid temperature: -25 to +110 °C (TF 110)  
 Also available with: Stainless-steel pump housing, type N (only UPS 32-100 180)

Pump type	Dimensions [mm]						Weights [kg]		Shipping volume [m <sup>3</sup> ]
	L	H1	H2	B1	B2	G	Net	Gross	
UPS 25-100	180	47	150	90	68	1 1/2"	6.3	6.9	0.012
UPS 32-100 (N)*	180	47	150	90	68	2"	6.4	7.0	0.012

\* N-version: This circulator is suitable for drinking water only.

## UPS 32-100 F, UPS 40-100 F

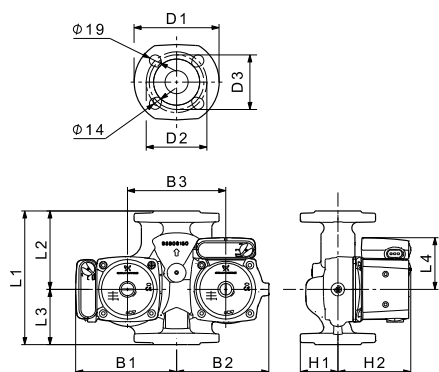


### Electrical data 1 x 230 V, 50 Hz

Speed	P1 [W]	I <sub>1/I1</sub> [A]
3	345	1.52
2	340	1.50
1	280	1.30

The pump has a built-in thermal switch and requires no additional motor protection.

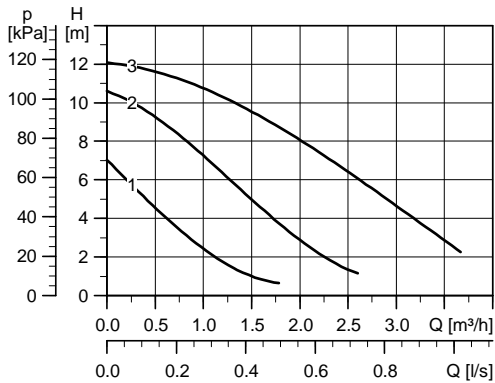
### Dimensions



Connections: See [Pipe connections](#), page 85.  
 System pressure: Max. 10 bar  
 Liquid temperature: -25 to +110 °C (TF 110)

Pump type	Dimensions [mm]									Weights [kg]		Shipping volume [m <sup>3</sup> ]
	L	D1	D2	D3	H1	H2	B1	B2	G	Net	Gross	
UPS 32-100 F	220	140	100	90	62	150	90	68	-	9.0	9.8	0.016
UPS 40-100 F	250	150	110	100	62	150	90	68	-	9.6	10.4	0.016

## UPS 25-120

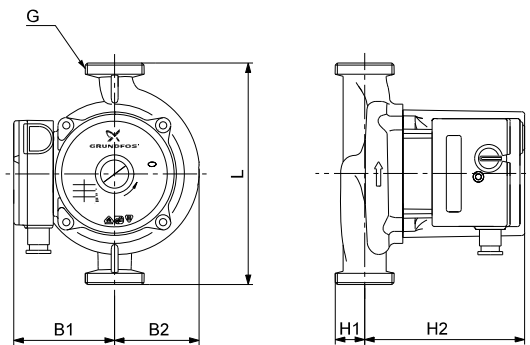


TM02 2205 4708

### Electrical data 1 x 230 V, 50 Hz

Speed	P1 [W]	I <sub>1/1</sub> [A]
3	235	1.02
2	180	0.78
1	120	0.53

### Dimensions

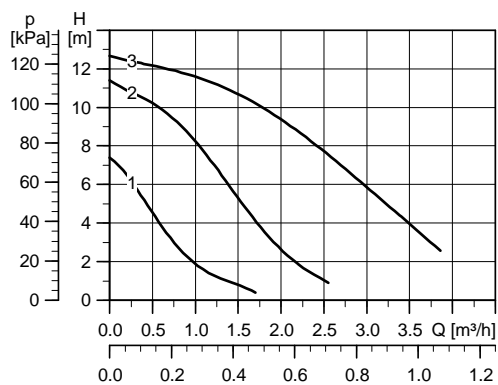


TM02 1329 4512

Connections: See [Pipe connections](#), page 85.  
 System pressure: Max. 10 bar  
 Liquid temperature: +2 to +95 °C (TF 95)

Pump type	Dimensions [mm]						Weights [kg]		Shipping volume [m <sup>3</sup> ]
	L	H1	H2	B1	B2	G	Net	Gross	
UPS 25-120	180	32	130	82	69	1 1/2"	4.4	4.6	0.006

## UPS 25-125

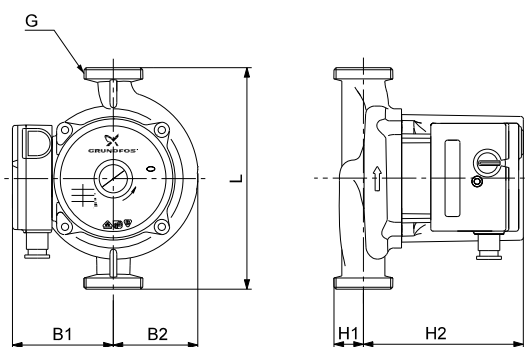


TM02 2204 4708

### Electrical data 1 x 230 V, 50 Hz

Speed	P1 [W]	I <sub>1/1</sub> [A]
3	270	1.18
2	210	0.93
1	135	0.61

### Dimensions

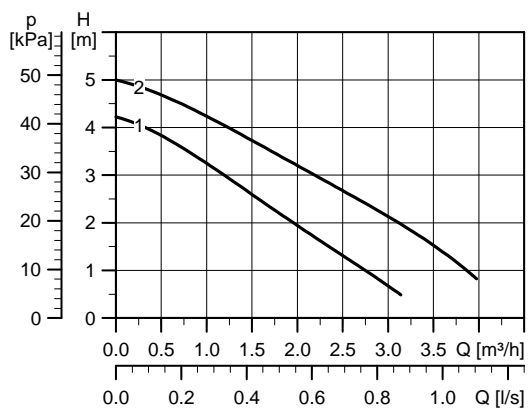


TM02 1329 4512

Connections: See [Pipe connections](#), page 85.  
 System pressure: Max. 10 bar  
 Liquid temperature: +2 to +60 °C (TF 60)

Pump type	Dimensions [mm]						Weights [kg]		Shipping volume [m <sup>3</sup> ]
	L	H1	H2	B1	B2	G	Net	Gross	
UPS 25-125	180	32	130	82	69	1 1/2"	4.4	4.6	0.006

## UPS 25-50

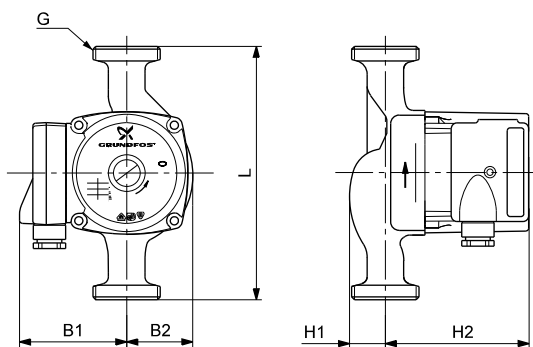


TM05 1719 3611

### Electrical data 3 x 230 V, 50 Hz

Speed	P1 [W]	I <sub>1/1</sub> [A]
2	110	0.37
1	115	0.37

### Dimensions

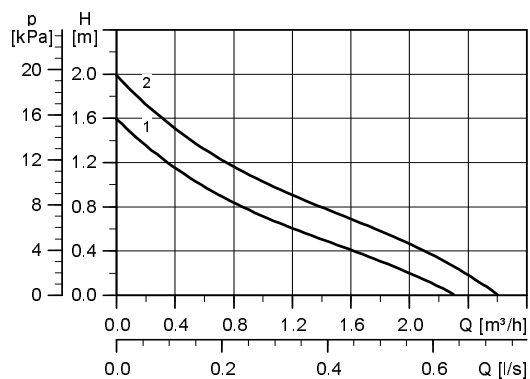


TM00 8960 4512

Connections: See [Pipe connections](#), page 85.  
 System pressure: Max. 10 bar  
 Liquid temperature: +2 to +110 °C (TF 110)

Pump type	Dimensions [mm]						Weights [kg]		Shipping volume [m <sup>3</sup> ]
	L	H1	H2	B1	B2	G	Net	Gross	
UPS 25-50	180	32	102	75	47	1 1/2"	2.6	2.8	0.004

## UPS 25-20, UPS 32-20

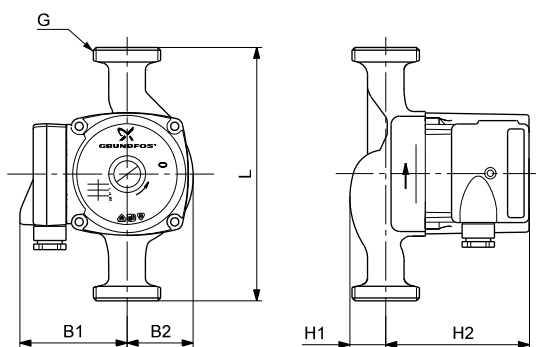


TM04 5009 2409

### Electrical data 3 x 400 V, 50 Hz

Speed	P1 [W]	I <sub>1/1</sub> [A]
2	60	0.15
1	85	0.16

### Dimensions



TM00 8960 4512

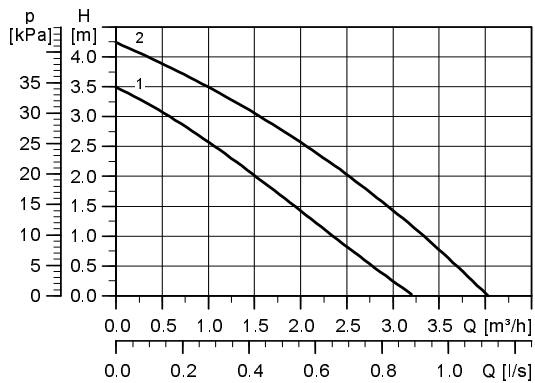
Connections: See [Pipe connections](#), page 85.

System pressure: Max. 10 bar

Liquid temperature: +2 to +110 °C (TF 110)

Pump type	Dimensions [mm]						Weights [kg]		Shipping volume [m <sup>3</sup> ]
	L	H1	H2	B1	B2	G	Net	Gross	
UPS 25-20	180	32	102	75	47	1 1/2"	2.6	2.8	0.004
UPS 32-20	180	39	102	73	47	2"	2.6	2.8	0.004

## UPS 25-40, UPS 32-40

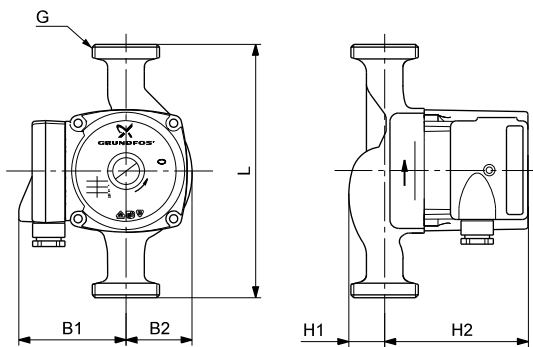


TM04 5010 2409

### Electrical data 3 x 400 V, 50 Hz

Speed	P1 [W]	I <sub>1/1</sub> [A]
2	95	0.18
1	110	0.20

### Dimensions



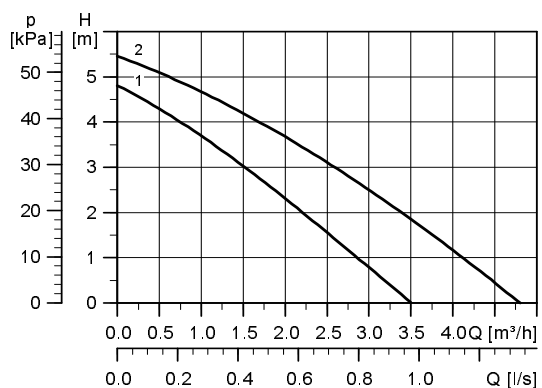
TM00 8960 4512

Connections: See [Pipe connections](#), page 85.  
 System pressure: Max. 10 bar  
 Liquid temperature: +2 to +110 °C (TF 110)

Pump type	Dimensions [mm]						Weights [kg]		Shipping volume [m <sup>3</sup> ]
	L	H1	H2	B1	B2	G	Net	Gross	
UPS 25-40	130	32	102	73	47	1 1/2"	2.5	2.7	0.004
UPS 25-40	180	32	102	73	47	1 1/2"	2.5	2.7	0.004
UPS 32-40	180	39	102	73	47	2"	2.6	2.8	0.004



## UPS 25-50, UPS 32-50

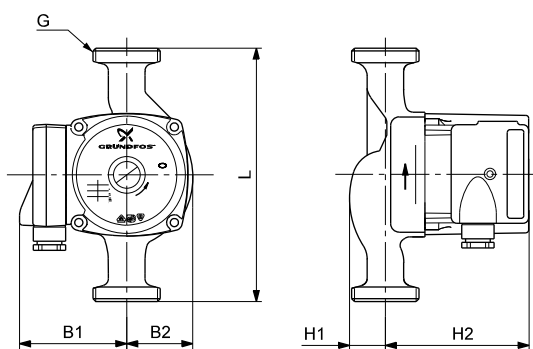


TM04 5011 2409

### Electrical data 3 x 400 V, 50 Hz

Speed	P1 [W]	I <sub>1/1</sub> [A]
2	115	0.20
1	130	0.22

### Dimensions

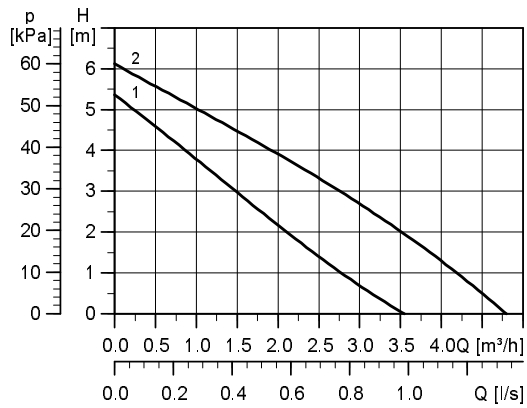


TM00 8960 4512

Connections: See [Pipe connections](#), page 85.  
 System pressure: Max. 10 bar  
 Liquid temperature: +2 to +110 °C (TF 110)

Pump type	Dimensions [mm]						Weights [kg]		Shipping volume [m³]
	L	H1	H2	B1	B2	G	Net	Gross	
UPS 25-50	180	32	102	73	47	1 1/2"	2.5	2.7	0.004
UPS 32-50	180	39	102	73	47	2"	2.6	2.8	0.004

## UPS 25-60 (N), UPS 32-60

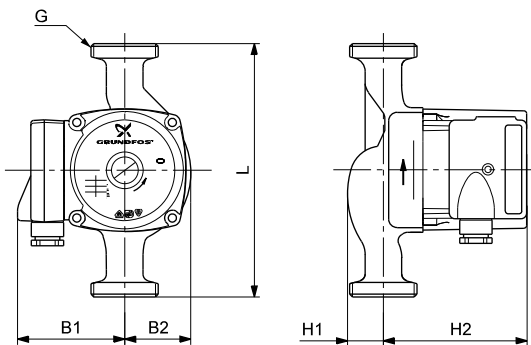


TM04 8116 3110

### Electrical data 3 x 400 V, 50 Hz

Speed	P1 [W]	I <sub>1/1</sub> [A]
2	130	0.21
1	140	0.24

### Dimensions



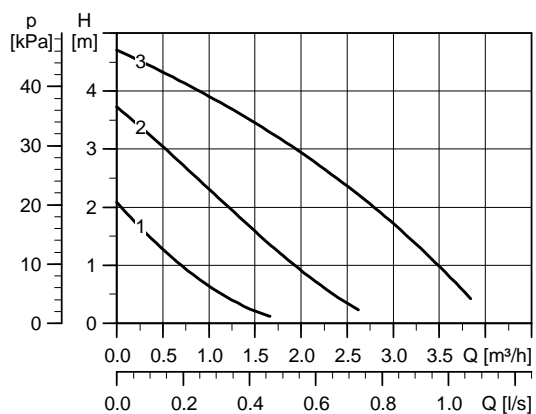
TM00 8960 4512

Connections: See [Pipe connections](#), page 85.  
 System pressure: Max. 10 bar  
 Liquid temperature: +2 to +110 °C (TF 110)  
 Also available with: Stainless-steel pump housing, type N (only UPS 25-60 180)

Pump type	Dimensions [mm]						Weights [kg]		Shipping volume [m <sup>3</sup> ]
	L	H1	H2	B1	B2	G	Net	Gross	
UPS 25-60	180	32	102	73	47	1 1/2"	2.5	2.7	0.004
UPS 25-60 N*	180	32	102	73	51	1 1/2"	2.5	2.7	0.004
UPS 32-60	180	39	102	73	47	2"	2.6	2.8	0.004

\* This circulator is suitable for drinking water only.

## UPS 25-42



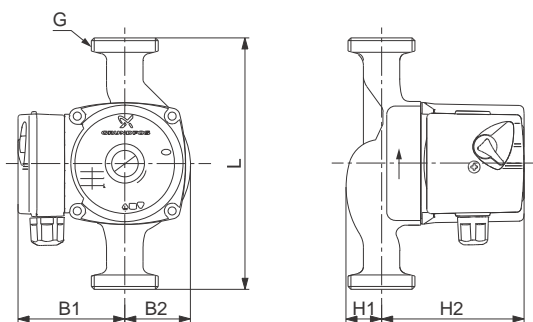
TM01 0152 4708

### Electrical data 1 x 220 V, 60 Hz

Speed	P1 [W]	I <sub>1/r1</sub> [A]
3	85	0.40
2	50	0.26
1	30	0.15

The pump has a built-in thermal switch and requires no additional motor protection.

### Dimensions

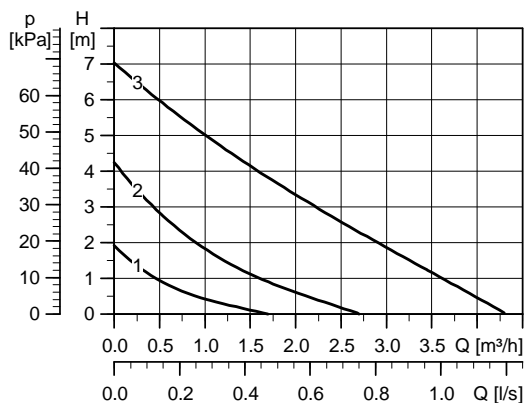


TM00 9386 4512

Connections: See [Pipe connections](#), page 85.  
 System pressure: Max. 10 bar  
 Liquid temperature: +2 to +110 °C (TF 110)

Pump type	Dimensions [mm]						Weights [kg]		Shipping volume [m <sup>3</sup> ]
	L	H1	H2	B1	B2	G	Net	Gross	
UPS 25-42	180	32	102	75	47	1 1/2"	2.6	2.8	0.004

## UPS 25-62 (K)

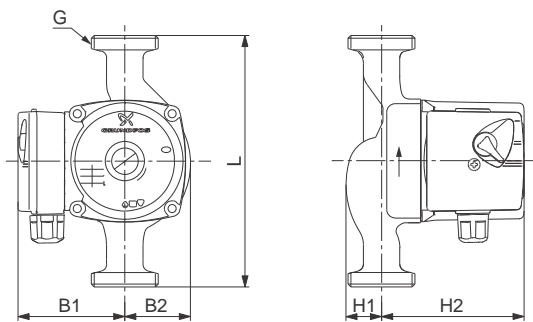


TM01 0153 4708

### Electrical data 1 x 220 V, 60 Hz

Speed	P1 [W]	I <sub>1/1</sub> [A]
3	115	0.51
2	65	0.30
1	35	0.17

### Dimensions

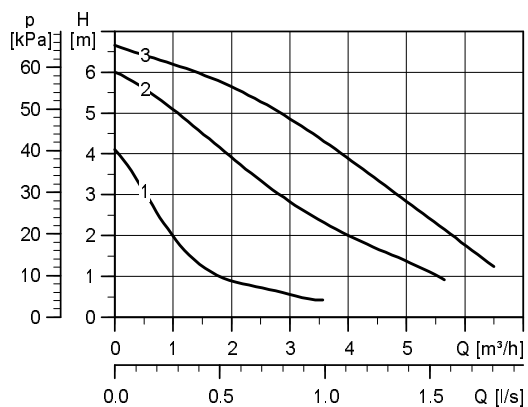


TM00 9386 4512

Connections: See [Pipe connections](#), page 85.  
 System pressure: Max. 10 bar  
 Liquid temperature: +2 to +110 °C (TF 110)  
 -25 to +95 °C (cast iron, K-version)

Pump type	Dimensions [mm]						Weights [kg]		Shipping volume [m <sup>3</sup> ]
	L	H1	H2	B1	B2	G	Net	Gross	
UPS 25-62 (K)	180	32	102	75	47	1 1/2"	2.6	2.8	0.004

## UPS 25-72

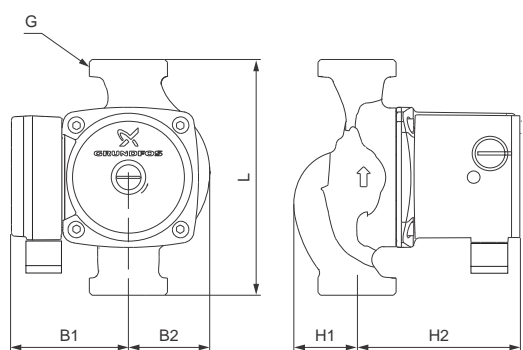


TM04 5564 3409

### Electrical data 1 x 220 V, 60 Hz

Speed	P1 [W]	I <sub>1/1</sub> [A]
3	135	0.60
2	125	0.58
1	90	0.44

### Dimensions



TM06 5360 4515

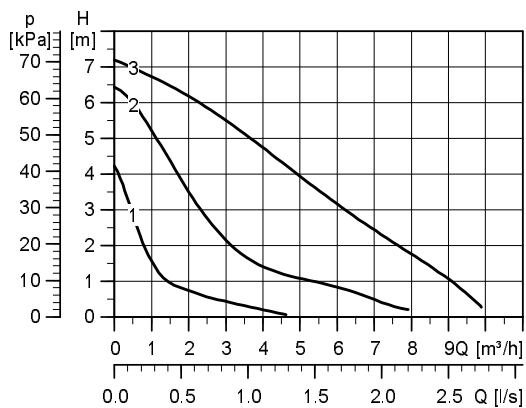
Connections: See [Pipe connections](#), page 85.

System pressure: Max. 10 bar

Liquid temperature: -25 to +110 °C (TF 110)

Pump type	Dimensions [mm]						Weights [kg]		Shipping volume [m³]
	L	H1	H2	B1	B2	G	Net	Gross	
UPS 25-72	180	46	121	82	62	1 1/2"	4.0	4.7	0.008

## UPS 40-72 F

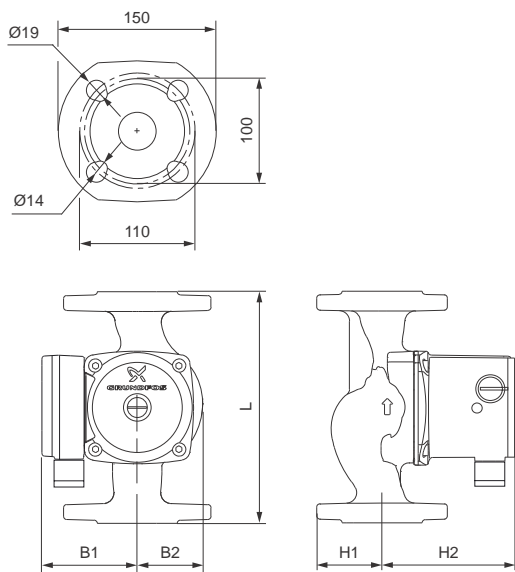


TM04 5565 3409

### Electrical data 1 x 220 V, 60 Hz

Speed	P1 [W]	$I_{1/1}$ [A]
3	160	0.72
2	140	0.68
1	90	0.44

### Dimensions

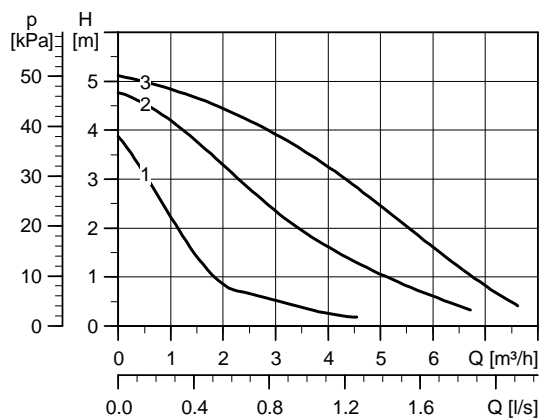


TM06 5383 4515

Connections: See [Pipe connections](#), page 85.  
 System pressure: Max. 10 bar  
 Liquid temperature: -25 to +110 °C (TF 110)

Pump type	Dimensions [mm]					G	Weights [kg]		Shipping volume [m³]
	L	H1	H2	B1	B2		Net	Gross	
UPS 40-72 F	250	67	121	82	62	-	7.4	9.7	0.013

## UPSD 32-50

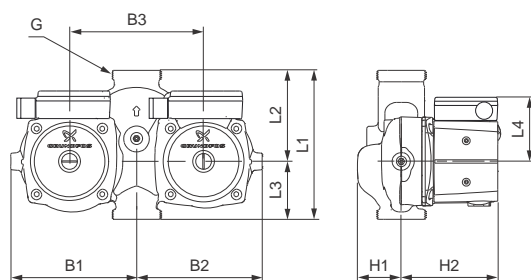


TM04 3793 0000

### Electrical data 1 x 230 V, 50 Hz

Speed	P1 [W]	I <sub>1/1</sub> [A]
3	105	0.46
2	100	0.44
1	75	0.32

### Dimensions

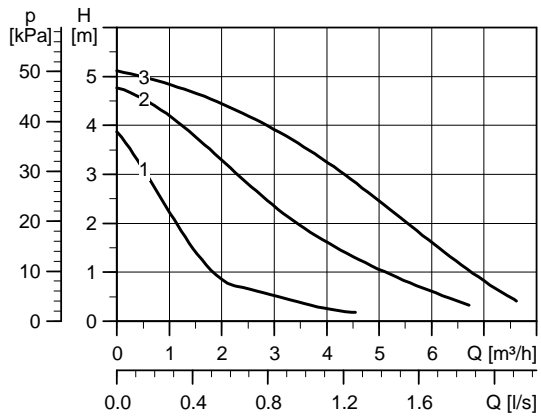


TM06 5390 4515

Connections: See [Pipe connections](#), page 85.  
 System pressure: Max. 10 bar  
 Liquid temperature: -25 to +110 °C (TF 110)

Pump type	Dimensions [mm]									Weights [kg]		Shipping volume [m <sup>3</sup> ]	
	L1	L2	L3	L4	H1	H2	B1	B2	B3	G	Net		Gross
UPSD 32-50	180	110	70	82	53	121	166	152	162	2"	10.7	11.2	0.018

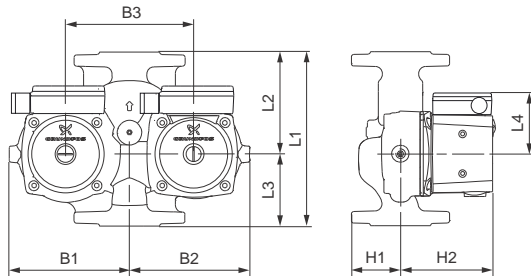
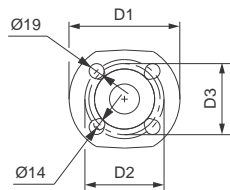
## UPSD 32-50 F, UPSD 40-50 F



### Electrical data 1 x 230 V, 50 Hz

Speed	P1 [W]	I <sub>1/1</sub> [A]
3	105	0.46
2	100	0.44
1	75	0.32

### Dimensions

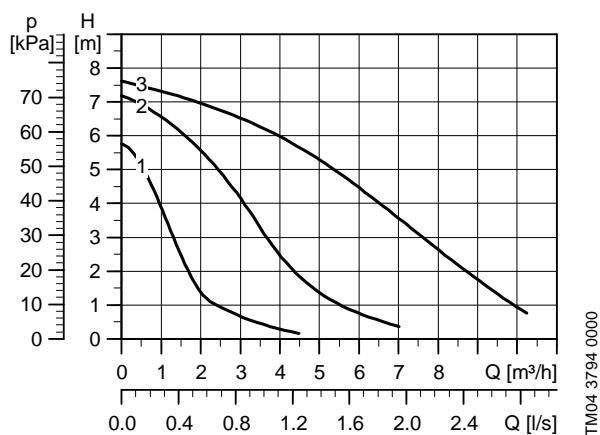


Connections: See [Pipe connections](#), page 85.  
 System pressure: Max. 10 bar  
 Liquid temperature: -25 to +110 °C (TF 110)

Pump type	Dimensions [mm]											Weights [kg]		Shipping volume [m <sup>3</sup> ]		
	L1	D1	D2	D3	L2	L3	L4	H1	H2	B1	B2	B3	G		Net	Gross
UPSD 32-50 F	220	140	100	90	129	91	82	62	121	166	152	162	-	13.6	14.2	0.018
UPSD 40-50 F	250	150	110	100	129	121	82	67	121	166	152	162	-	14.1	14.8	0.021



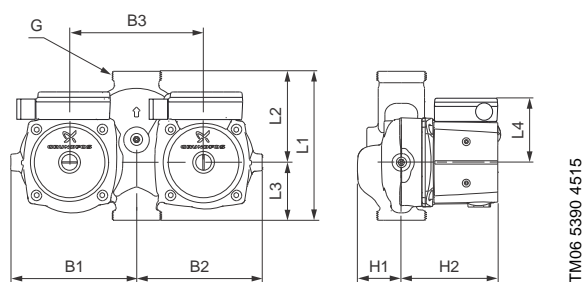
## UPSD 32-80



### Electrical data 1 x 230 V, 50 Hz

Speed	P1 [W]	I <sub>1/1</sub> [A]
3	220	0.98
2	200	0.90
1	135	0.60

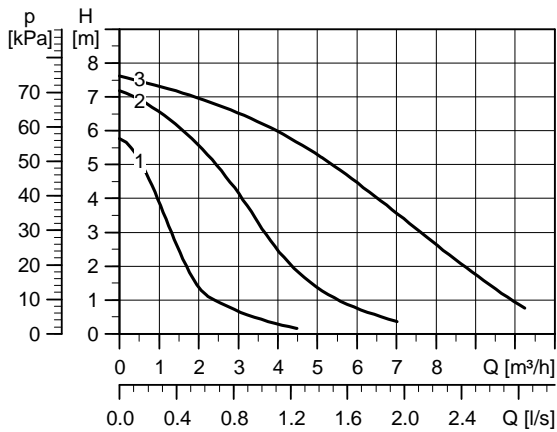
### Dimensions



Connections: See [Pipe connections](#), page 85.  
 System pressure: Max. 10 bar  
 Liquid temperature: -25 to +110 °C (TF 110)

Pump type	Dimensions [mm]										Weights [kg]		Shipping volume [m <sup>3</sup> ]
	L1	L2	L3	L4	H1	H2	B1	B2	B3	G	Net	Gross	
UPSD 32-80	180	110	70	82	53	121	166	152	162	2"	10.8	11.4	0.015

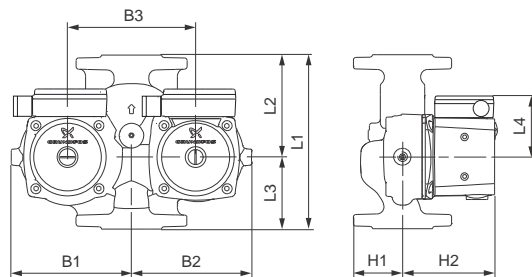
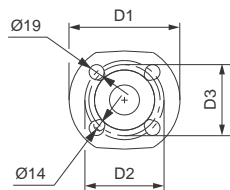
## UPSD 32-80 F, UPSD 40-80 F



### Electrical data 1 x 230 V, 50 Hz

Speed	P1 [W]	I <sub>1/1</sub> [A]
3	220	0.98
2	200	0.90
1	135	0.60

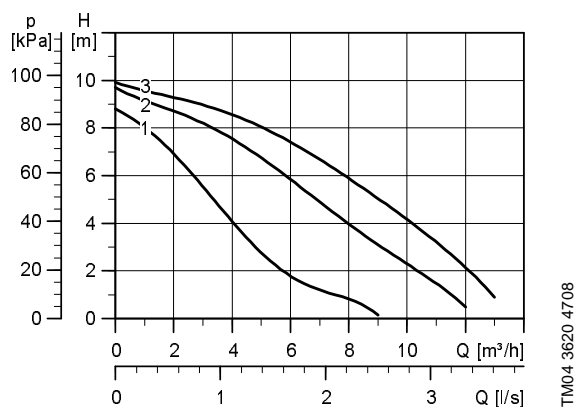
### Dimensions



Connections: See [Pipe connections](#), page 85.  
 System pressure: Max. 10 bar  
 Liquid temperature: -25 to +110 °C (TF 110)

Pump type	Dimensions [mm]												Weights [kg]		Shipping volume [m <sup>3</sup> ]	
	L1	D1	D2	D3	L2	L3	L4	H1	H2	B1	B2	B3	G	Net		Gross
UPSD 32-80 F	220	140	100	90	129	91	82	62	121	166	152	162	-	13.6	14.3	0.018
UPSD 40-80 F	250	150	110	100	129	121	82	67	121	166	152	162	-	14.2	14.8	0.021

## UPSD 32-100 F, UPS 40-100 F

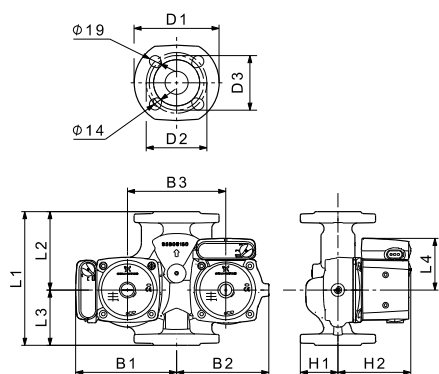


### Electrical data 1 x 230 V, 50 Hz

Speed	P1 [W]	I <sub>1/I1</sub> [A]
3	345	1.52
2	340	1.50
1	280	1.30

The pump has a built-in thermal switch and requires no additional motor protection.

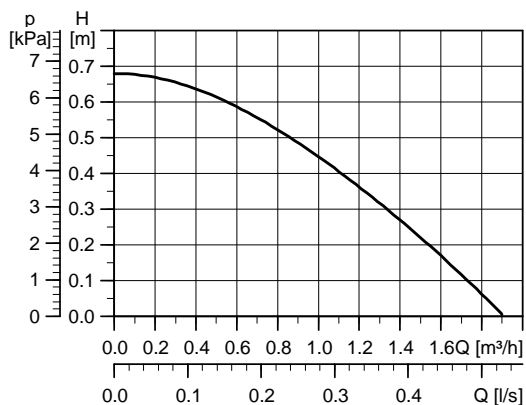
### Dimensions



Connections: See [Pipe connections](#), page 85.  
 System pressure: Max. 10 bar  
 Liquid temperature: -25 to +110 °C (TF 110)

Pump type	Dimensions [mm]												Weights [kg]		Shipping volume [m <sup>3</sup> ]	
	L1	D1	D2	D3	L2	L3	L4	H1	H2	B1	B2	B3	G	Net		Gross
UPSD 32-100 F	220	140	100	90	125	95	90	62	145	175	162	170	-	17.5	18.4	0.03
UPS 40-100 F	250	150	110	100	140	110	90	67	145	175	162	170	-	18.3	19.3	0.03

## UP 20-07 N

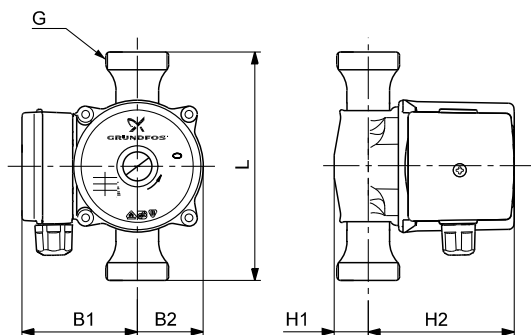


TM00 9760 4708

## Electrical data 1 x 230 V, 50 Hz

Speed	P1 [W]	I <sub>1/1</sub> [A]
1	50	0.24

## Dimensions



TM00 8932 4512

Connections: See [Pipe connections](#), page 85.

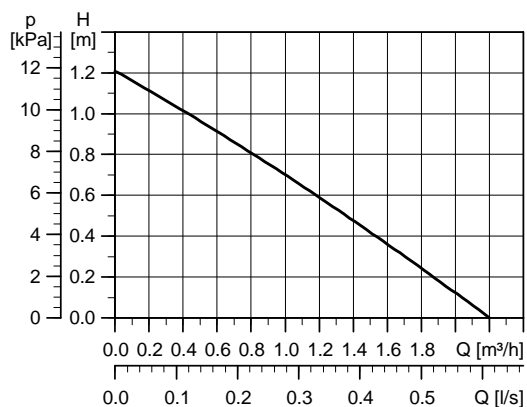
System pressure: Max. 10 bar

Liquid temperature: +2 to +110 °C (TF 110)

Pump type	Dimensions [mm]						Weights [kg]		Shipping volume [m³]
	L	H1	H2	B1	B2	G	Net	Gross	
UP 20-07 N*	150	26	100	75	43	1 1/4"	2.1	2.3	0.004

\* This circulator is suitable for drinking water only.

## UP 20-15 N

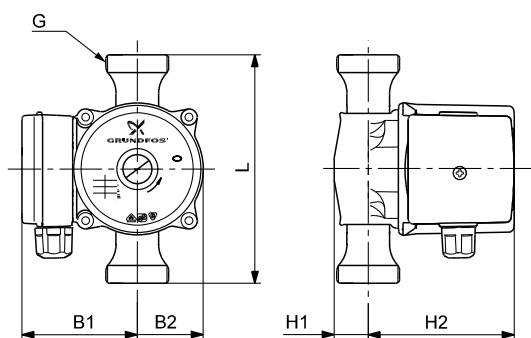


TM00 9765 4705

### Electrical data 1 x 230 V, 50 Hz

Speed	P1 [W]	I <sub>1/I1</sub> [A]
1	65	0.28

### Dimensions



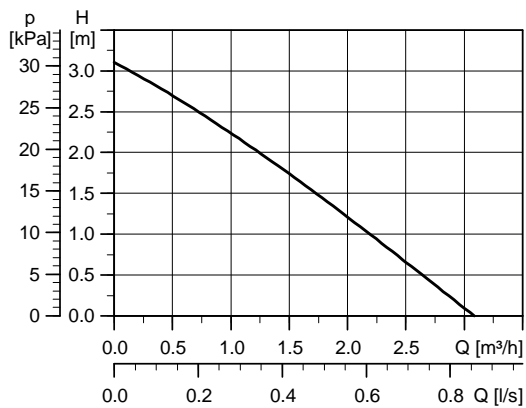
TM00 8932 4512

Connections: See [Pipe connections](#), page 85.  
 System pressure: Max. 10 bar  
 Liquid temperature: +2 to +110 °C (TF 110)

Pump type	Dimensions [mm]						Weights [kg]		Shipping volume [m³]
	L	H1	H2	B1	B2	G	Net	Gross	
UP 20-15 N*	150	28	100	75	43	1 1/4"	2.1	2.3	0.004

\* This circulator is suitable for drinking water only.

## UP 20-30 N

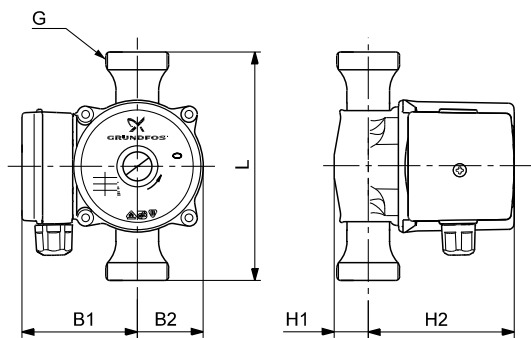


TM00 9752 4708

## Electrical data 1 x 230 V, 50 Hz

Speed	P1 [W]	I <sub>1/1</sub> [A]
1	75	0.31

## Dimensions



TM00 8932 4512

Connections: See [Pipe connections](#), page 85.

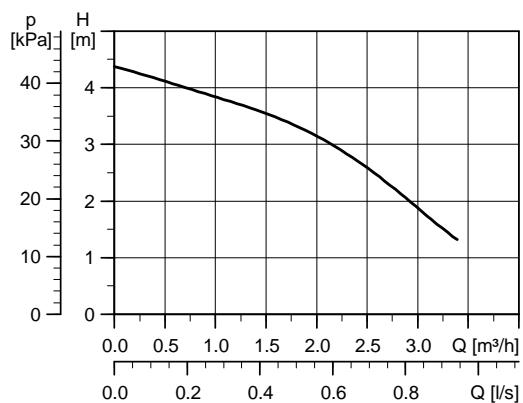
System pressure: Max. 10 bar

Liquid temperature: +2 to +110 °C (TF 110)

Pump type	Dimensions [mm]						Weights [kg]		Shipping volume [m <sup>3</sup> ]
	L	H1	H2	B1	B2	G	Net	Gross	
UP 20-30 N*	150	28	100	75	43	1 1/4"	2.1	2.3	0.004

\* This circulator is suitable for drinking water only.

## UP 20-45 N

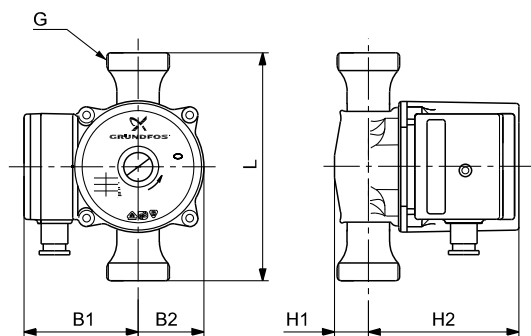


TM04 3749 2409

### Electrical data 1 x 230 V, 50 Hz

Speed	P1 [W]	I <sub>1/1</sub> [A]
1	110	0.5

### Dimensions



TM00 9388 4512

Connections: See [Pipe connections](#), page 85.

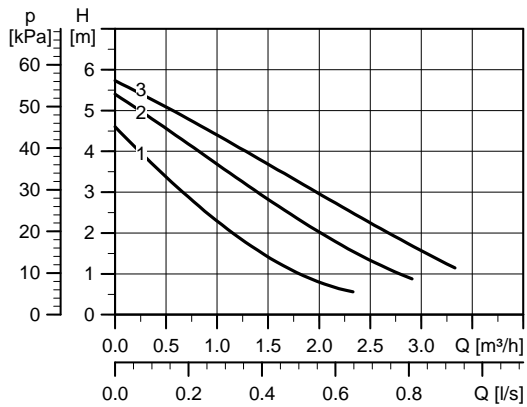
System pressure: Max. 10 bar

Liquid temperature: +2 to +110 °C (TF 110)

Pump type	Dimensions [mm]						Weights [kg]		Shipping volume [m <sup>3</sup> ]
	L	H1	H2	B1	B2	G	Net	Gross	
UP 20-45 N*	150	25	126	85	53.5	1 1/4"	3.6	3.8	0.008

\* This circulator is suitable for drinking water only.

## UPS 20-60 N

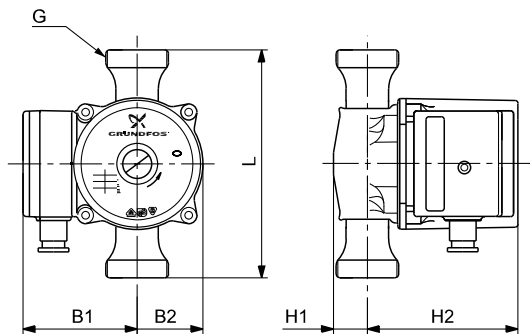


TM05 1720 3611

### Electrical data 1 x 230 V, 50 Hz

Speed	P1 [W]	I <sub>1/1</sub> [A]
3	70	0.30
2	60	0.27
1	50	0.22

### Dimensions



TM00 9388 4512

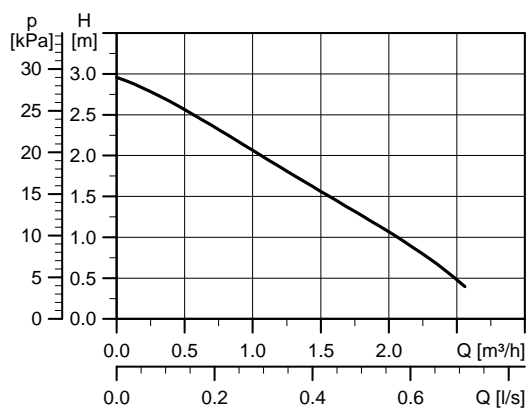
Connections: See [Pipe connections](#), page 85.  
 System pressure: Max. 10 bar  
 Liquid temperature: +2 to +110 °C (TF 110)  
 -25 to +110 °C (TF 110)

Pump type	Dimensions [mm]						Weights [kg]		Shipping volume [m³]
	L	H1	H2	B1	B2	G	Net	Gross	
UPS 20-60 N*	150	28	102	75	47	1 1/4"	3.5	3.8	0.004

\* This circulator is suitable for drinking water only.



## UP 20-30 N

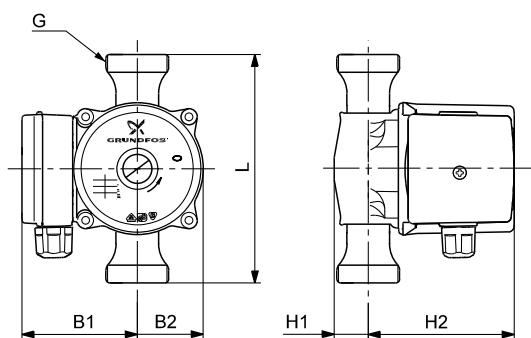


TM05 1721 3611

## Electrical data 1 x 240 V, 50 Hz

Speed	P1 [W]	I <sub>1/1</sub> [A]
1	80	0.33

## Dimensions



TM00 8932 4512

Connections: See [Pipe connections](#), page 85.

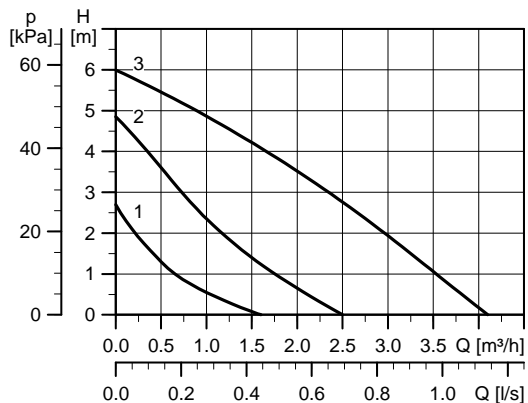
System pressure: Max. 10 bar

Liquid temperature: +2 to +110 °C (TF 110)

Pump type	Dimensions [mm]						Weights [kg]		Shipping volume [m <sup>3</sup> ]
	L	H1	H2	B1	B2	G	Net	Gross	
UP 20-30 N*	150	28	100	75	43	1 1/4"	2.1	2.3	0.004

\* This circulator is suitable for drinking water only.

## UPS 20-60 N

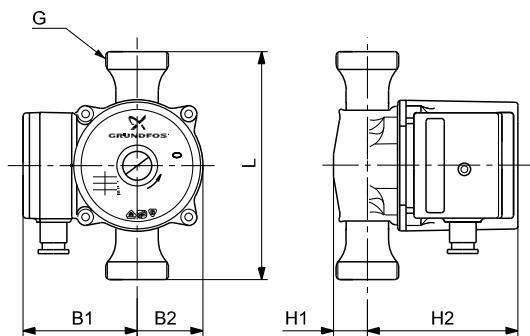


TM05 1756 3611

### Electrical data 1 x 240 V, 50 Hz

Speed	P1 [W]	I <sub>1/1</sub> [A]
3	90	0.37
2	60	0.25
1	35	0.15

### Dimensions



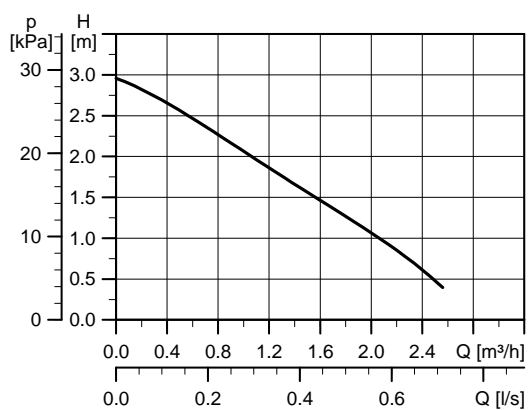
TM00 9388 4512

Connections: See [Pipe connections](#), page 85.  
 System pressure: Max. 10 bar  
 Liquid temperature: +2 to +110 °C (TF 110)

Pump type	Dimensions [mm]						Weights [kg]		Shipping volume [m <sup>3</sup> ]
	L	H1	H2	B1	B2	G	Net	Gross	
UPS 20-60 N*	150	28	102	75	51	1 1/4"	2.4	2.7	0.004

\* This circulator is suitable for drinking water only.

## UP 20-30 N

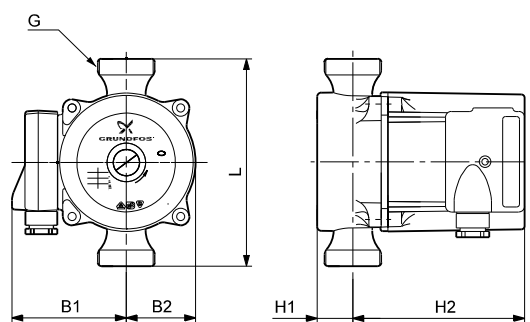


TM05 1757 3611

### Electrical data 3 x 220 V, 50 Hz

Speed	P1 [W]	I <sub>1/1</sub> [A]
1	115	0.38

### Dimensions



TM00 8964 4512

Connections: See [Pipe connections](#), page 85.

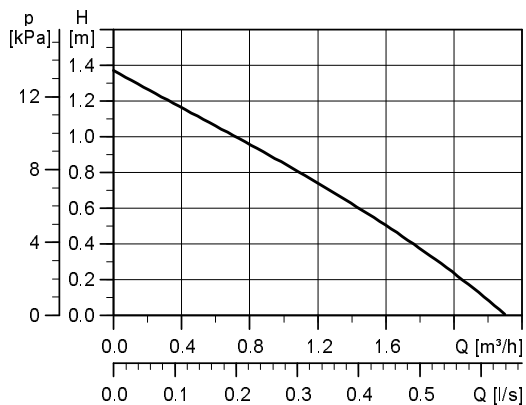
System pressure: Max. 10 bar

Liquid temperature: +2 to +110 °C (TF 110)

Pump type	Dimensions [mm]						Weights [kg]		Shipping volume [m <sup>3</sup> ]
	L	H1	H2	B1	B2	G	Net	Gross	
UP 20-30 N*	150	25	123	80	51	1 1/4"	4.0	4.3	0.008

\* This circulator is suitable for drinking water only.

## UP 20-15 N

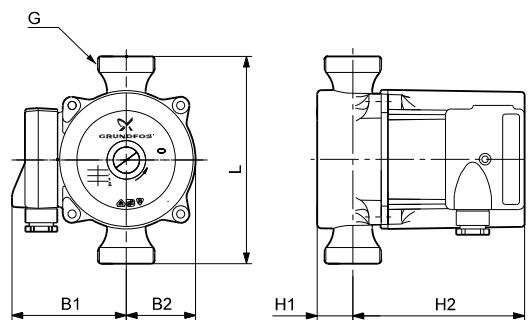


TM04 5561 3409

## Electrical data 3 x 400 V, 50 Hz

Speed	P1 [W]	I <sub>1/1</sub> [A]
1	75	0.19

## Dimensions



TM00 8964 4512

Connections: See [Pipe connections](#), page 85.

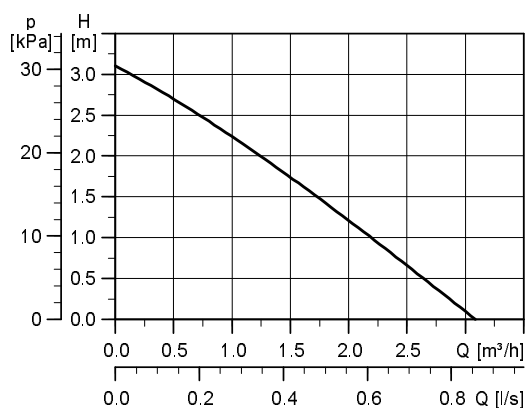
System pressure: Max. 10 bar

Liquid temperature: +2 to +110 °C (TF 110)

Pump type	Dimensions [mm]						Weights [kg]		Shipping volume [m³]
	L	H1	H2	B1	B2	G	Net	Gross	
UP 20-15 N*	150	28	100	73	43	1 1/4"	2.1	2.3	0.004

\* This circulator is suitable for drinking water only.

## UP 20-30 N

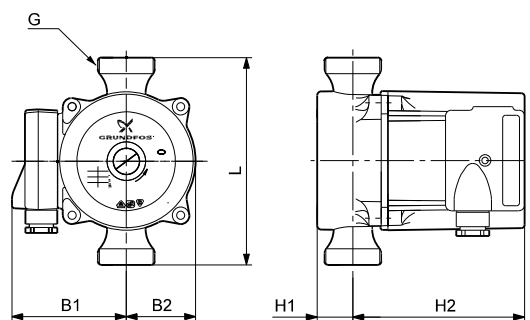


TM04 5562 3409

### Electrical data 3 x 400 V, 50 Hz

Speed	P1 [W]	I <sub>1/1</sub> [A]
1	100	0.18

### Dimensions



TM00 8964 4512

Connections: See [Pipe connections](#), page 85.

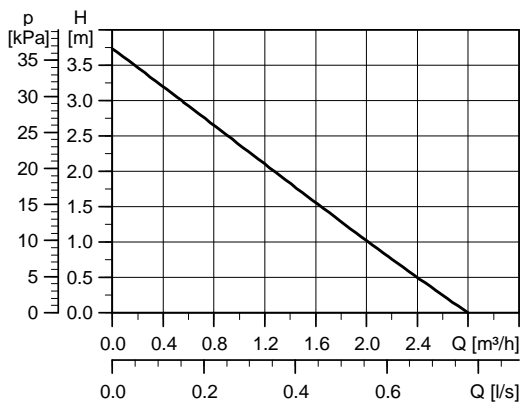
System pressure: Max. 10 bar

Liquid temperature: +2 to +110 °C (TF 110)

Pump type	Dimensions [mm]						Weights [kg]		Shipping volume [m <sup>3</sup> ]
	L	H1	H2	B1	B2	G	Net	Gross	
UP 20-30 N*	150	28	100	73	43	1 1/4"	2.1	2.3	0.004

\* This circulator is suitable for drinking water only.

## UP 20-32 N

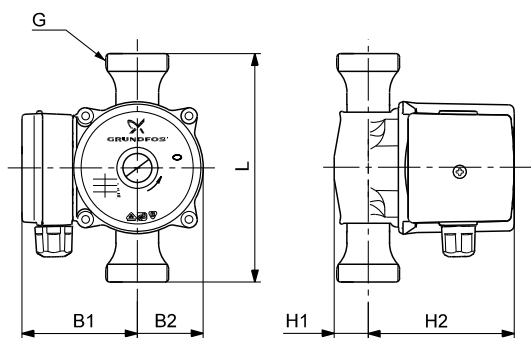


TM01 0154 4708

## Electrical data 1 x 220 V, 60 Hz

Speed	P1 [W]	I <sub>1/I1</sub> [A]
1	95	0.43

## Dimensions



TM00 8932 4512

Connections: See [Pipe connections](#), page 85.

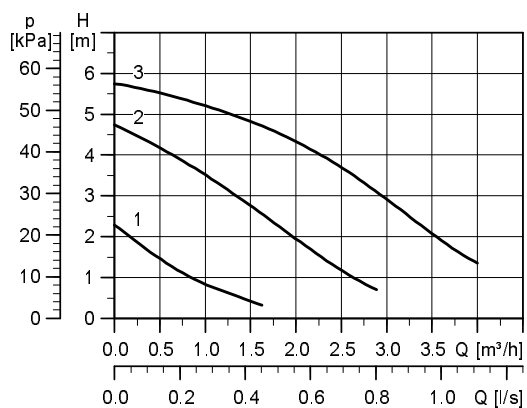
System pressure: Max. 10 bar

Liquid temperature: +2 to +110 °C (TF 110)

Pump type	Dimensions [mm]						Weights [kg]		Shipping volume [m <sup>3</sup> ]
	L	H1	H2	B1	B2	G	Net	Gross	
UP 20-32 N*	150	28	100	75	43	1 1/4"	2.1	2.3	0.004

\* This circulator is suitable for drinking water only.

## UPS 20-62 N



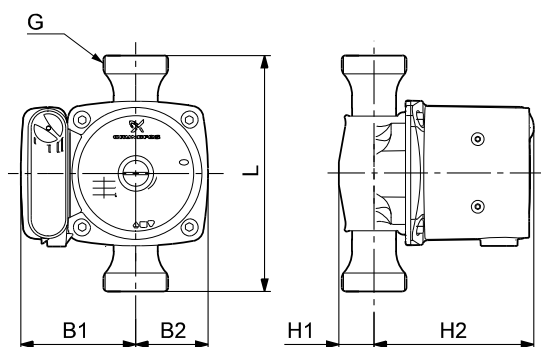
TM04 5563 4009

### Electrical data 1 x 220 V, 60 Hz

Speed	P1 [W]	I <sub>1/1</sub> [A]
3	150	0.68
2	135	0.64
1	90	0.44

The pump has a built-in thermal switch and requires no additional motor protection.

### Dimensions



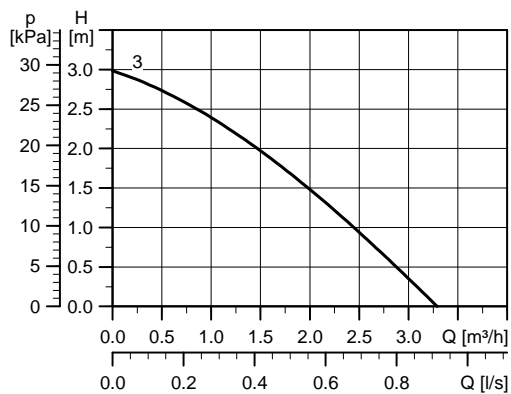
TM04 2811 3405

Connections: See [Pipe connections](#), page 85.  
 System pressure: Max. 10 bar  
 Liquid temperature: +2 to +110 °C (TF 110)

Pump type	Dimensions [mm]						Weights [kg]		Shipping volume [m <sup>3</sup> ]
	L	H1	H2	B1	B2	G	Net	Gross	
UPS 20-62 N*	150	25	121	82	53.5	1 1/4"	3.0	3.8	0.008

\* This circulator is suitable for drinking water only.

## UPS 20-30 NK

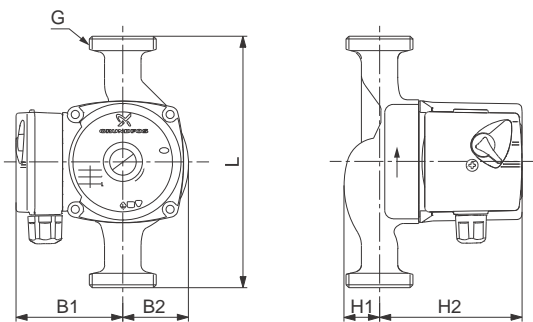


TM05 5349 3612

### Electrical data 1 x 230 V, 50 Hz

Speed	P1 [W]	I <sub>1/1</sub> [A]
1	75	0.33

### Dimensions



TM00 9386 4512

Connections: See [Pipe connections](#), page 85.

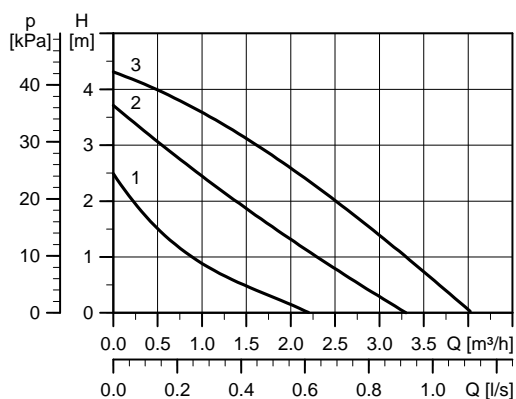
System pressure: Max. 10 bar

Liquid temperature: -25 to +95 °C (TF 95)

Pump type	Dimensions [mm]						Weights [kg]		Shipping volume [m <sup>3</sup> ]
	L	H1	H2	B1	B2	G	Net	Gross	
UPS 20-30 NK	150	28	100	75	51	1 1/4"	2.1	2.3	0.004



## UPS 20-40 K

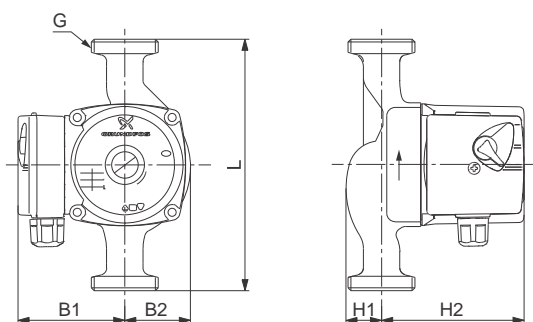


TM05 5343 3612

### Electrical data 1 x 230 V, 50 Hz

Speed	P1 [W]	I <sub>1/1</sub> [A]
3	75	0.32
2	55	0.25
1	35	0.16

### Dimensions



TM00 9386 4512

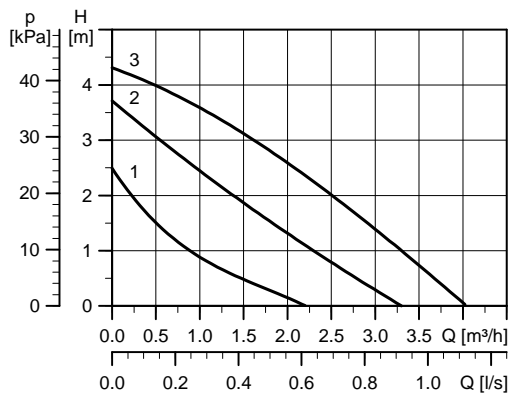
Connections: See [Pipe connections](#), page 85.

System pressure: Max. 10 bar

Liquid temperature: -25 to +95 °C (TF 95)

Pump type	Dimensions [mm]						Weights [kg]		Shipping volume [m <sup>3</sup> ]
	L	H1	H2	B1	B2	G	Net	Gross	
UP 20-40 K	130	28	102	75	47	1 1/4"	2.6	2.8	0.004

## UPS 25-40 K

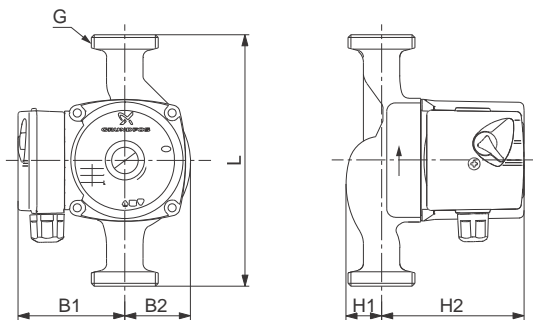


TM05 5343 3612

### Electrical data 1 x 230 V, 50 Hz

Speed	P1 [W]	I <sub>1/1</sub> [A]
3	75	0.32
2	55	0.25
1	35	0.16

### Dimensions

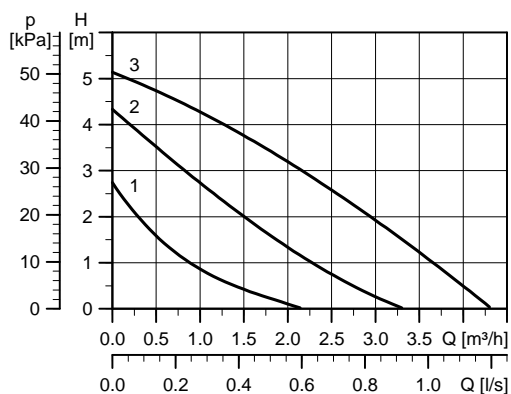


TM00 9386 4512

Connections: See [Pipe connections](#), page 85.  
 System pressure: Max. 10 bar  
 Liquid temperature: -25 to +95 °C (TF 95)

Pump type	Dimensions [mm]						Weights [kg]		Shipping volume [m <sup>3</sup> ]
	L	H1	H2	B1	B2	G	Net	Gross	
UPS 25-40 K	180	28	102	75	47	1 1/4"	2.6	2.8	0.004

## UPS 25-50 K

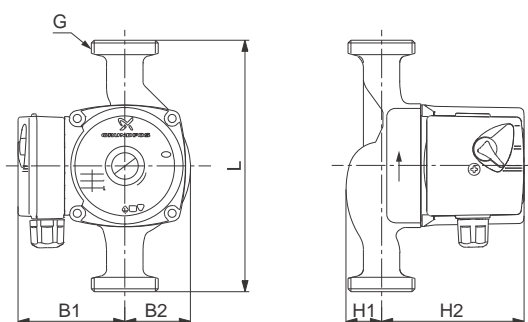


TM05 5344 3612

### Electrical data 1 x 230 V, 50 Hz

Speed	P1 [W]	I <sub>1/1</sub> [A]
3	85	0.36
2	65	0.29
1	40	0.18

### Dimensions

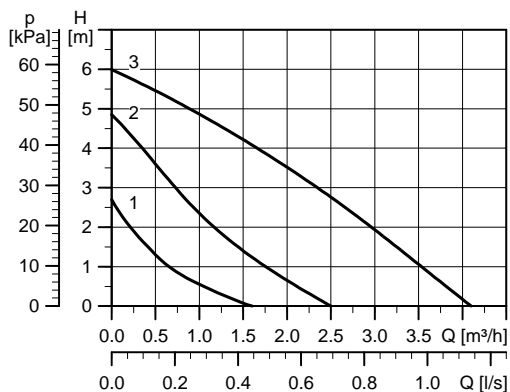


TM00 9386 4512

Connections: See [Pipe connections](#), page 85.  
 System pressure: Max. 10 bar  
 Liquid temperature: -25 to +95 °C (TF 95)

Pump type	Dimensions [mm]						Weights [kg]		Shipping volume [m³]
	L	H1	H2	B1	B2	G	Net	Gross	
UPS 25-50 K	180	32	102	75	47	1 1/2"	2.6	2.8	0.004

## UPS 20-60 NK

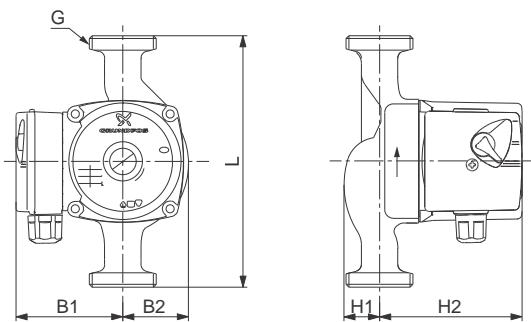


TM05 5348 3612

### Electrical data 1 x 240 V, 50 Hz

Speed	P1 [W]	I <sub>1/1</sub> [A]
3	90	0.37
2	60	0.25
1	35	0.15

### Dimensions

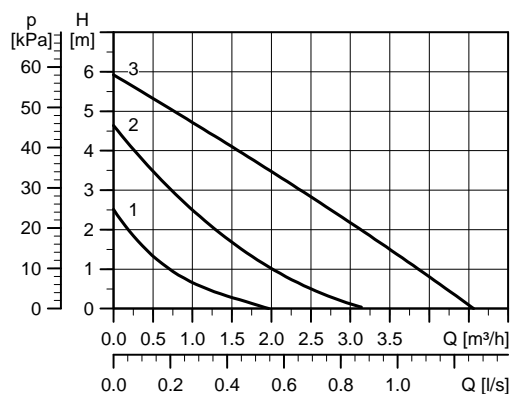


TM00 9386 4512

Connections: See [Pipe connections](#), page 85.  
 System pressure: Max. 10 bar  
 Liquid temperature: -25 to +95 °C (TF 95)

Pump type	Dimensions [mm]						Weights [kg]		Shipping volume [m³]
	L	H1	H2	B1	B2	G	Net	Gross	
UPS 20-60 NK	150	28	102	75	51	1 1/4"	2.4	2.7	0.004

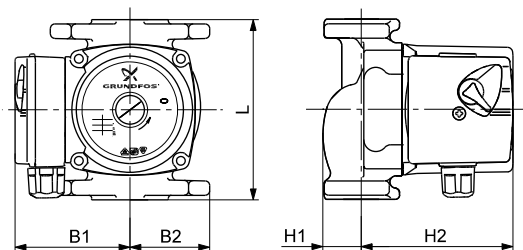
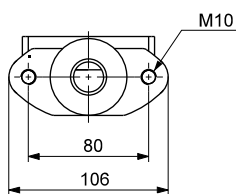
## UPS 21-60 FK



### Electrical data 1 x 230 V, 50 Hz

Speed	P1 [W]	I <sub>1/I1</sub> [A]
3	95	0.41
2	70	0.31
1	45	0.2

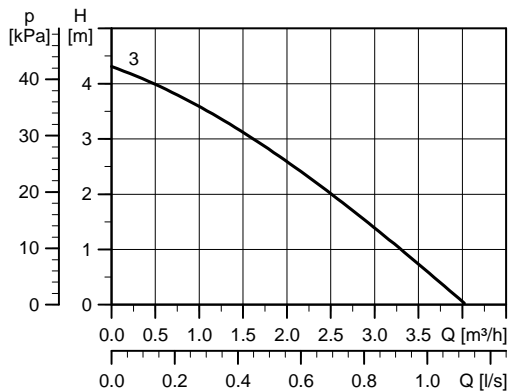
### Dimensions



Connections: See [Pipe connections](#), page 85.  
 System pressure: Max. 10 bar  
 Liquid temperature: -25 to +95 °C (TF 95)

Pump type	Dimensions [mm]						Weights [kg]		Shipping volume [m <sup>3</sup> ]
	L	H1	H2	B1	B2	G	Net	Gross	
UPS 21-60 FK	120	32	102	75	53	-	2.9	3.1	0.004

## UP 25-40 KU

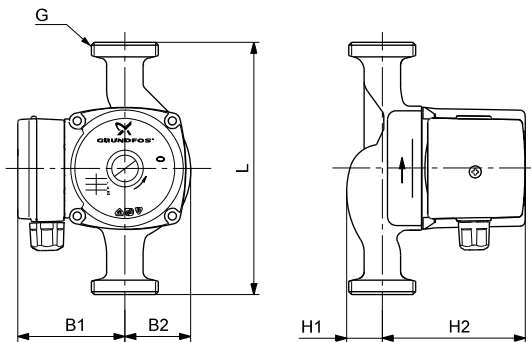


TM05 5345 3612

## Electrical data 1 x 230 V, 50 Hz

Speed	P1 [W]	I <sub>1/1</sub> [A]
1	60	0.26

## Dimensions

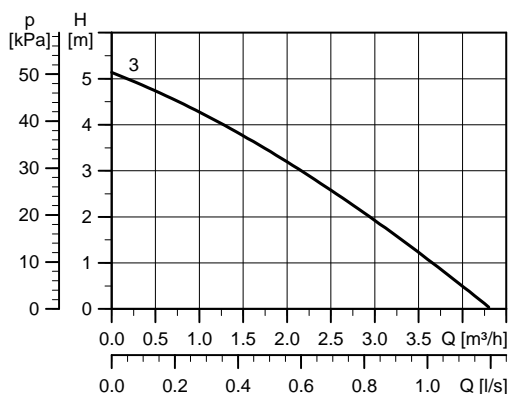


TM00 8933 4512

Connections: See [Pipe connections](#), page 85.  
 System pressure: Max. 10 bar  
 Liquid temperature: -25 to +95 °C (TF 95)

Pump type	Dimensions [mm]						Weights [kg]		Shipping volume [m <sup>3</sup> ]
	L	H1	H2	B1	B2	G	Net	Gross	
UP 25-40 KU	180	32	102	75	47	1 1/2"	2.6	2.8	0.004

## UP 25-50 KU

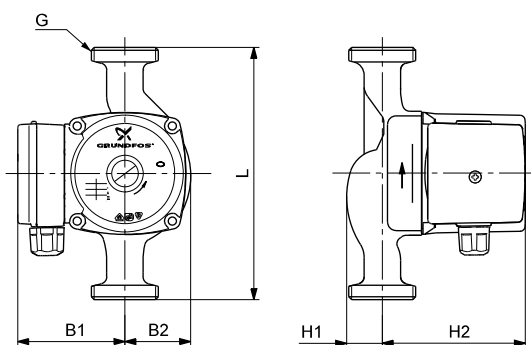


TM05 5346 3612

### Electrical data 1 x 230 V, 50 Hz

Speed	P1 [W]	I <sub>1/1</sub> [A]
1	80	0.34

### Dimensions



TM00 8933 4512

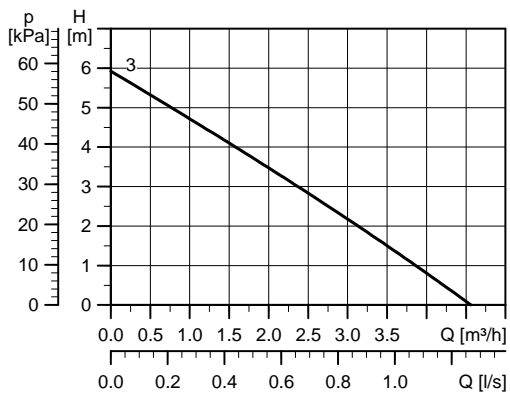
Connections: See [Pipe connections](#), page 85.

System pressure: Max. 10 bar

Liquid temperature: -25 to +95 °C (TF 95)

Pump type	Dimensions [mm]						Weights [kg]		Shipping volume [m <sup>3</sup> ]
	L	H1	H2	B1	B2	G	Net	Gross	
UP 25-50 KU	180	32	102	75	47	1 1/2"	2.6	2.8	0.004

## UP 25-60 KU

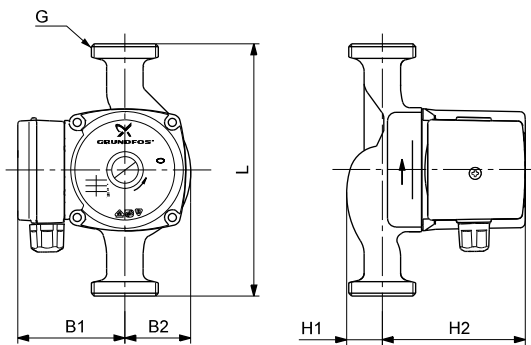


TM05 5347 3612

## Electrical data 1 x 230 V, 50 Hz

Speed	P1 [W]	I <sub>1/1</sub> [A]
1	90	0.40

## Dimensions



TM00 8933 4512

Connections: See [Pipe connections](#), page 85.

System pressure: Max. 10 bar

Liquid temperature: -25 to +95 °C (TF 95)

Pump type	Dimensions [mm]						Weights [kg]		Shipping volume [m <sup>3</sup> ]
	L	H1	H2	B1	B2	G	Net	Gross	
UP 25-60 KU	180	32	102	75	47	1 1/2"	2.6	2.8	0.004



## 8. Product range

### UP, UPS circulator pumps, 50 Hz

Connection	Supply voltage [V]	Pump type	Max. system pressure [bar]	Product number		Data sheet page
				Current	Cancelled	
Oval flange "21"	1 x 230	UPS 21-40 F	10	96281386	59554500	<a href="#">31</a>
		UPS 21-50 F	10	96281434	59555500	<a href="#">32</a>
		UPS 21-60 F	10	96281490	59556500	<a href="#">33</a>
G 1	1 x 230	UPS 15-20	10	59502503		<a href="#">16</a>
		UPS 15-30	10	59503000		<a href="#">21</a>
		UPS 15-40	10	96281368	59504500	<a href="#">23</a>
		UPS 15-50	10	96281418	59505500	<a href="#">25</a>
		UPS 15-60	10	96281471	59506500	<a href="#">30</a>
		UPS 20-40	10	96281371	59514500	<a href="#">23</a>
G 1 1/4	1 x 230	UPS 20-50	10	96281420	59515500	<a href="#">25</a>
		UPS 20-60	10	96281472	59516500	<a href="#">30</a>
		UPS 25-20	10	59522500		<a href="#">16</a>
G 1 1/2	1 x 230	UPS 25-40	10	96281376	59524500	<a href="#">23</a>
		UPS 25-50	10	96281424	59525500	<a href="#">25</a>
		UPS 25-60	10	96281476	59526500	<a href="#">34</a>
		UPS 25-70	10	96621356		<a href="#">37</a>
		UPS 25-50	10	96281430	59535500	<a href="#">25</a>
G 1 1/2	1 x 230	UPS 25-20	10	59542500		<a href="#">16</a>
		UPS 25-25	10	95906400	52015130	<a href="#">19</a>
		UPS 25-30	10	59543000		<a href="#">21</a>
		UPS 25-40	10	96281384	59544500	<a href="#">23</a>
		UPS 25-50	10	96281432	59545500	<a href="#">25</a>
		UPS 25-55	10	95906404	52002110	<a href="#">28</a>
		UPS 25-60	10	96281483	59546500	<a href="#">34</a>
		UPS 25-60	10	96281485	59546517	<a href="#">34</a>
		UPS 25-70	10	96621354		<a href="#">37</a>
		UPS 25-80	10	95906429	52001110	<a href="#">38</a>
		UPS 25-80	10	95906429	52000063	<a href="#">38</a>
		UPS 25-100	10	95906480		<a href="#">42</a>
		UPS 25-120 High head	10	52588336		<a href="#">44</a>
		UPS 25-125 High head	10	52588344		<a href="#">45</a>
		3 x 220	UPS 25-50	10	59545701	
UPS 25-20	10		59542800		<a href="#">47</a>	
3 x 400	UPS 25-40	10	59524802		<a href="#">48</a>	
	UPS 25-40	10	59544800		<a href="#">48</a>	
	UPS 25-50	10	59545800		<a href="#">49</a>	
	UPS 25-60	10	59546800		<a href="#">50</a>	

Connection	Supply voltage [V]	Pump type	Max. system pressure [bar]	Product number		Data sheet page
				Current	Cancelled	
G 2	1 x 230	UPS 32-20	10	59582500		<a href="#">16</a>
		UPS 32-25	10	95906401	52014061	<a href="#">20</a>
		UPS 32-30	10	59583000		<a href="#">21</a>
		UPS 32-40	10	96281390	59584500	<a href="#">23</a>
		UPS 32-50	10	96281435	59585500	<a href="#">25</a>
		UPS 32-55	10	95906409	52001011	<a href="#">29</a>
		UPS 32-60	10	96281494	59586500	<a href="#">36</a>
		UPS 32-70	10	96621355		<a href="#">37</a>
		UPS 32-80	10	95906442	52052010	<a href="#">39</a>
		UPS 32-100	10	95906500		<a href="#">42</a>
	3 x 400	UPS 32-20	10	59582800		<a href="#">47</a>
		UPS 32-40	10	59584800		<a href="#">48</a>
		UPS 32-50	10	59585800		<a href="#">49</a>
		UPS 32-60	10	59586800		<a href="#">50</a>
Flange "36"	1 x 230	UPS 36-20 F	10	95906402	52034040	<a href="#">18</a>
		UPS 36-50 F	10	95906417	52011110	<a href="#">27</a>
		UPS 36-80 F	10	95906461	52012110	<a href="#">41</a>
Flange DN 32 PN 6/10	1 x 230	UPS 32-50 F	10	95906415	52052043	<a href="#">26</a>
		UPS 32-80 F	10	95906458	52052042	<a href="#">40</a>
		UPS 32-100 F	10	95906483		<a href="#">43</a>
Flange DN 40 PN 6/10	1 x 230	UPS 40-50 F	10	95906420	52031310	<a href="#">26</a>
		UPS 40-80 F	10	95906462	52022110	<a href="#">40</a>
		UPS 40-100 F	10	95906486		<a href="#">43</a>

### Air separator pumps, 50 Hz

Connection	Supply voltage [V]	Pump type	Max. system pressure [bar]	Product number		Data sheet page
				Current	Cancelled	
G 1 1/2	1 x 230	UPS 25-20 A	10	59562502		<a href="#">17</a>
		UPS 25-30 A	10	59563000		<a href="#">22</a>
		UPS 25-40 A	10	96281387	59564502	<a href="#">24</a>
		UPS 25-60 A	10	96281491	59566503	<a href="#">35</a>

### Twin-head pumps, 50 Hz

Connection	Supply voltage [V]	Pump type	Max. system pressure [bar]	Product number	Data sheet page
		UPSD 32-80	10	95906455	<a href="#">57</a>
Flange DN 32 PN 6/10	1 x 230	UPSD 32-50 F	10	95906416	<a href="#">56</a>
		UPSD 32-80 F	10	95906459	<a href="#">58</a>
		UPSD 32-100 F	10	95906484	<a href="#">59</a>
Flange DN 40 PN 6/10	1 x 230	UPSD 40-50 F	10	95906423	<a href="#">56</a>
		UPSD 40-80 F	10	95906465	<a href="#">58</a>
		UPSD 40-100 F	10	95906487	<a href="#">59</a>

## Stainless-steel circulator pumps, 50 Hz

Connection	Supply voltage [V]	Pump type	Max. system pressure [bar]	Product number		Data sheet page
				Current	Cancelled	
G 1 1/4	1 x 230	UP 20-07 N	10	59640506		60
		UP 20-15 N	10	59641500		61
		UP 20-30 N	10	59643500		62
		UP 20-45 N	10	95906472		63
		UPS 20-60 N	10	96913106		64
	1 x 240	UP 20-30 N	10	59643600		65
		UPS 20-60 N	10	96913096		66
		3 x 220	UP 20-30 N	10	59643701	
	3 x 400	UP 20-15 N	10	59641800		68
		UP 20-30 N	10	59643800		69
G 1 1/2	1 x 230	UPS 25-40 N	10	96913060	96913060	23
		UPS 25-55 N	10	95906408		28
		UPS 25-60 N	10	96913090		34
			10	96913085		
		UPS 25-80 N	10	95906439		38
	3 x 400	UPS 25-60 N	10	96913058	52004490	50
			10		96281506	
		G 2	1 x 230	UPS 32-80 N	10	95906450
UPS 32-80 N	10	95906448	52062210			
UPS 32-100 N	10	95906489		42		
Flange DN 40 PN 6/10	1 x 230	UPS 40-50 FN	10	95906422		26
		UPS 40-80 FN	10	95906466		40

## Stainless-steel circulator pumps, 50 Hz for GB market

G 1 1/2	1 x 230	UPS 15-50 N	10	97549426	96913107	25
G 1 1/4	1 x 230	UP 20-07 N	10	98057201	59640605 59640606	60
		UP 20-15 N	10	98057205	59641602 59641603	61
		UP 20-30 N	10	98057221	59643604 59643605	62
		UP 20-45 N	10	98057222	95906473 95906475	63
		UPS 25-55 N	10	95906772	95906407	28
G 1 1/2	1 x 230	UPS 25-80 N	10	98057227	95906430	38
		G 2	1 x 230	UPS 32-55 N	10	95906773
G 2	1 x 230	UPS 32-80 N	10	98057247	95906454	39
		Flange DN 40 PN 6/10	1 x 230	UPS 40-50 FN	10	98057242
		UPS 40-80 FN	10	95906774	95906466	40

## Cold-water circulator pumps, 50 Hz

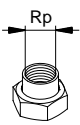
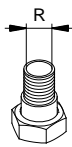
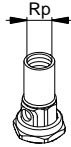
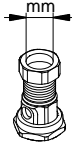
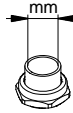
Connection	Supply voltage [V]	Pump type	Max. system pressure [bar]	Product number	Data sheet page
<b>Cast iron, K</b>					
Oval flange "21"	1 x 230	UPS 21-60 FK	10	59556502	77
G 1 1/4	1 x 230	UPS 20-40 K	10	59514517	73
G 1 1/2	1 x 230	UPS 25-40 K	10	59544505	74
		UPS 25-50 K	10	59545502	75
<b>Cast iron, KU, including cable 1145 mm</b>					
G 1 1/4	1 x 230	UP 25-40 KU	10	59544524	78
		UP 25-50 KU	10	59545520	79
		UP 25-60 KU	10	59546510	80
<b>Stainless steel, NK</b>					
G 1 1/2	1 x 240	UPS 20-60 NK	10	96913097	76
G 1 1/4	1 x 230	UP 20-30 NK	10	59643501	72

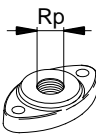
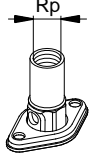
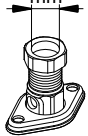
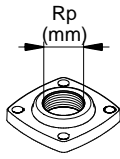
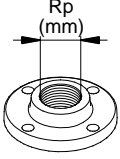
## Standard circulator pumps, 60 Hz

Connection	Supply voltage [V]	Pump type	Max. system pressure [bar]	Product number	Data sheet page
G 1 1/4	1 x 220	UPS 20-62 N	10	95906736	<a href="#">71</a>
G 1 1/2	1 x 220	UPS 25-42	10	59544561	<a href="#">51</a>
G 1 1/2	1 x 220	UPS 25-62	10	59546515	<a href="#">52</a>
G 1 1/2	1 x 220	UPS 25-62 K	10	59546499	<a href="#">52</a>
G 1 1/2	1 x 220	UPS 25-72	10	95906739	<a href="#">53</a>
Flange DN 40 PN 6/10	1 x 220	UPS 40-72 F	10	95906741	<a href="#">54</a>
G 1 1/4	1 x 220	UP 20-32 N	10	59643502	<a href="#">70</a>

# 9. Accessories

## Pipe connections

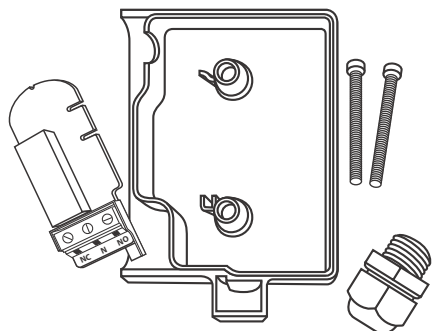
		Product numbers, unions															
Pump type	Connection																
		3/4	1	1 1/4	1	1 1/4	3/4	1	1 1/4	Ø22	Ø28	Ø15	Ø18	Ø22	Ø28	Ø42	
20-xx	G 1 1/4	529932 <sup>1)</sup>															
20-xx N		529982 <sup>2)</sup>			529983 <sup>2)</sup>		519802 <sup>2)</sup>			519801 <sup>2)</sup>		529986 <sup>2)</sup>		529987 <sup>2)</sup>		529988 <sup>2)</sup> 529989 <sup>2)</sup>	
25-xx	G 1 1/2	529921 <sup>1)</sup>			529925 <sup>1)</sup>												
25-xx N		529971 <sup>2)</sup>			529972 <sup>2)</sup>		519805 <sup>2)</sup>			519806 <sup>2)</sup>		529977 <sup>2)</sup>		529978 <sup>2)</sup>		529979 <sup>2)</sup>	
32-xx	G 2	509921 <sup>1)</sup>															
32-xx N		509922 <sup>1)</sup>			509971 <sup>2)</sup>												529995 <sup>2)</sup>

		Product numbers, flanges																																					
Pump type	Connection																																						
		3/4	1	1 1/4	1 1/2	3/4	1	1 1/4	Ø22	Ø28	3/4	1	1 1/4	1 1/2	2	Ø32	Ø40	Ø50	1 1/4	1 1/2	Ø32	Ø40																	
21-xx F	Oval	529607 <sup>1)</sup>			519705 <sup>2)</sup>		519708 <sup>2)</sup>												539903 <sup>1)</sup>																				
		529604 <sup>1)</sup>			519706 <sup>2)</sup>		519709 <sup>2)</sup>		509901 <sup>1)</sup>				509902 <sup>1)</sup>				96427029 <sup>2)</sup>																						
	Square	529605 <sup>1)</sup>							509903 <sup>1)</sup>				509904 <sup>1)</sup>				509905 <sup>1)</sup>				509908 <sup>1)</sup>				509909 <sup>1)</sup>				509910 <sup>1)</sup>										
36-xx F		529606 <sup>1)</sup>							509901 <sup>1)</sup>				509902 <sup>1)</sup>				509903 <sup>1)</sup>				509904 <sup>1)</sup>				509905 <sup>1)</sup>				509908 <sup>1)</sup>				509909 <sup>1)</sup>				509910 <sup>1)</sup>		
32-xx F	PN 6																				539903 <sup>1)</sup>																		
	PN 10																				539703 <sup>1)</sup> 96427029 <sup>2)</sup>																		
	PN 6																				539701 <sup>1)</sup> 539901 <sup>1)</sup> 539911 <sup>2)</sup>																		
40-xx F	PN 10																				539701 <sup>1)</sup> 539711 <sup>2)</sup> 539902 <sup>1)</sup> 539912 <sup>2)</sup>																		

1) Cast iron.  
 2) Brass/bronze.  
 Blank = not available.

### Alarm module

The alarm module offers the possibility of monitoring the pump for failures via external equipment. The module comes with both an NC (normally closed) and an NO (normally open) galvanically separated output. The alarm output is activated either when the power supply fails or when the thermistor has cut out the motor.

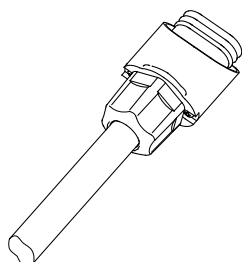


TM04 3958 0509

Fig. 11 Alarm module

Description	Product number
Alarm module, UPS(D) xx-100 (F)	95906254

### ALPHA plug



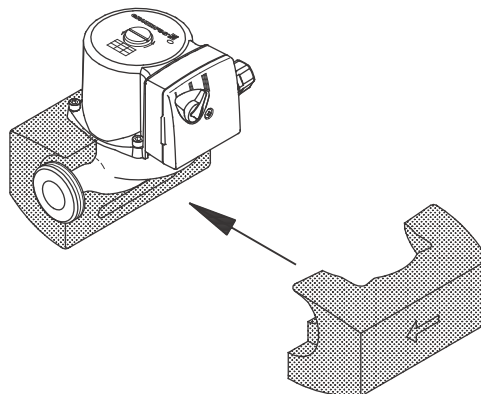
TM01 9911 3400

Fig. 12 ALPHA plug

Description	Product number
ALPHA plug for UPS(D) xx-100 (F)	595562

### Insulation kits

UPS circulator pumps can be fitted with two insulating shells. The thickness of the insulating shells corresponds to the nominal diameter of the pump. The insulation kit, which is tailored to the individual pump type, encloses the entire pump housing. The two shells are easily fitted around the pump.



TM00 9687 5196

Fig. 13 Insulating shells

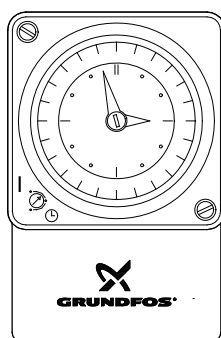
Insulation kit for pump type	Product number
UPS 25-20	505821
UPS 32-20	505821
UPS 25-25	95906655
UPS 25-30	505821
UPS 32-25	95906655
UPS 32-30	505821
UPS 25-40	505821
UPS 32-40	505821
UPS 25-55	95906655
UPS 25-60	505821
UPS 32-55	95906655
UPS 32-60	505821
UPS 25-80	95906655
UPS 25-100	95906653
UPS 32-100	95906653
UPS 25-20 A	505822
UPS 25-30 A	505822
UPS 25-40 A	505822
UPS 25-60 A	505822
UPS 40-50 F	95906655
UPS 40-80 F	95906655

## Grundfos controllers

### TS 3: On/off time switch

The on/off time switch is designed for wall mounting. The time switch automatically switches the pump on/off at preset intervals. It is available with 24-hour or week dial.

Type	Time switch	Product number 1 x 220 V
TS 3/T	24-hour dial	96406992
TS 3/W	Week dial	96406993



TM01 0205 2602

Fig. 14 TS 3

### ET 2: Temperature switch

The ET 2 temperature switch can be used in conjunction with the SAT 200 and GES 200. The ET 2 switch performs control according to the outdoor, room, flow-pipe or return-pipe temperature.

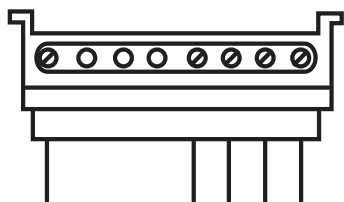
Control signal	Type	Temperature switch	Product number
Temperature (outdoor, room, flow pipe, return pipe)	ET 2	With housing and outdoor sensor	ID4383
		With sensor for external pipe mounting	ID4384
		With sensor for internal pipe mounting and bushing	ID4385

Differential-pressure controllers are also available.

### Terminal block

The terminal block is fitted to the terminal box and used for the connection of external controllers (for example for external changeover between two speeds).

Type	Product number
Terminal block	605003



TM00 5144 5094

Fig. 15 Terminal block

## Plug-in timer

Plug-in timer to fit 50 Hz household power. See table to find the product to fit country-specific power outlets. The timer only counts time when it is connected to a power source. There is no battery in the timer.



TM05 8845 2813

Country	Product number
Italy	98465219
Switzerland	98465222
France, Belgium	98465224
UK	98465225
Denmark	98465226
Germany	98465228

## 10. Grundfos Product Center

Online search and sizing tool to help you make the right choice.

<http://product-selection.grundfos.com>



**SIZING** enables you to size a pump based on entered data and selection choices.

**REPLACEMENT** enables you to find a replacement product. Search results will include information on

- the lowest purchase price
- the lowest energy consumption
- the lowest total life cycle cost.

The screenshot shows the Grundfos Product Center website. At the top, there is a navigation bar with 'HOME', 'FIND PRODUCT', 'COMPARE', 'YOUR PROJECTS', 'SAVED ITEMS', and 'HELP'. Below this is a search bar with a 'SEARCH' button. The main content area is divided into four sections: 'SIZING' (Enter pump sizing), 'CATALOGUE' (Products and services), 'REPLACEMENT' (Replace an old pump with a new), and 'LIQUIDS' (Find pump by liquid). The 'SIZING' section is expanded, showing a 'QUICK SIZING' form with fields for 'Enter duty point' (Flow (Q) and Head (H)) and 'Select what to size by' (Size by application, Size by pump design, Size by pump family). There is also a 'START SIZING' button. Below the 'QUICK SIZING' section, there are options for 'ADVANCED SIZING' (Advanced sizing by application and Guided selection).

**CATALOGUE** gives you access to the Grundfos product catalogue.

**LIQUIDS** enables you to find pumps designed for aggressive, flammable or other special liquids.

### All the information you need in one place

Performance curves, technical specifications, pictures, dimensional drawings, motor curves, wiring diagrams, spare parts, service kits, 3D drawings, documents, system parts. The Product Center displays any recent and saved items - including complete projects - right on the main page.

### Downloads

On the product pages, you can download installation and operating instructions, data booklets, service instructions, etc. in PDF format.

Subject to alterations.





98808570 1215

ECM: 1170496

**GRUNDFOS A/S**  
DK-8850 Bjerringbro . Denmark  
Telephone: +45 87 50 14 00  
[www.grundfos.com](http://www.grundfos.com)

**GRUNDFOS** 