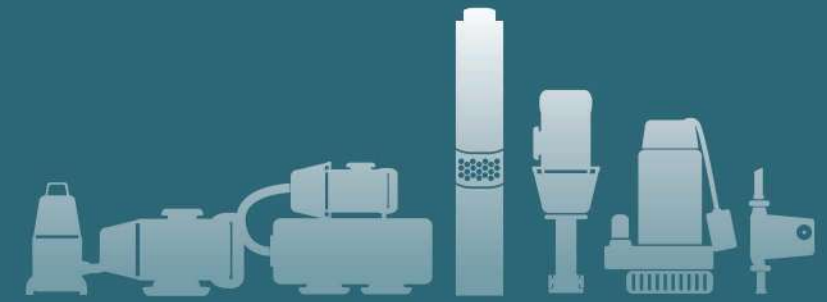


GREEN



## PRODUCT CATALOGUE WATER PUMP

  
**GREEN**<sup>®</sup>  
Water Solution

[WWW.PARSWS.COM](http://WWW.PARSWS.COM)



**Tel:**  
021-59231  
**Fax:**  
021-88806085

**E-mail:**  
[info@parsws.com](mailto:info@parsws.com)

**Add:**  
No. 440, Motahari St.  
Tehran, Iran

[WWW.PARSWS.COM](http://WWW.PARSWS.COM)

  
**GREEN**<sup>®</sup>  
Water Solution



UPS-Z



UPS-GREEN

### Applications Fields

UPS pumps are recommended for circulation of liquids in heating and air conditioning systems. The pump is made of cast iron or copper for use in hot water systems. This pump is also typically used in urban apartments, suburban villas, residential water pressurization, liquid circulation of cooling systems and air conditioning systems, and solar water supply for boilers.



UPS-F

Max.Flow:  
**49 m<sup>3</sup>/h**

Max.Head:  
**20 m**

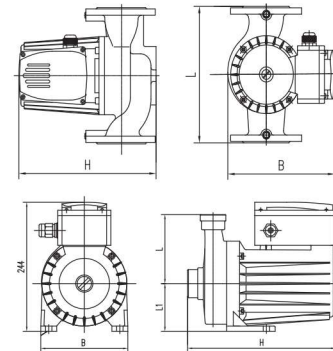
**3-speed adjustment**  
**Low noise**  
**No leakage**

### Application Limits

Liquid temperature: +2 C ~ +120 C  
 Maximum ambient temperature: 0~40 C  
 Maximum system pressure 10 bar  
 Protection level: IP44  
 Mains connection: 3X220V/3X380V-50Hz  
 Insulation class: F  
 Pumped liquid characteristics: clean, free from solids  
 Granule, fiber and mineral oils, non-toxic, chemically neutral, close to the characteristics of water.  
 Placing request: the motor shaft must be kept in horizontal direction  
 PH: 6.5 to 8.5

### Optional Available On Request

Products can be customized according to customer's Brass pump body, materials  
 Cast iron pump body





\*: "F" means Flange.  
\*: "T" means three-phase.

Model	Power	Max head	Max.flow	Size	Dimension(mm)			N/W	Q (m³/h)	0	2	4	6	8	10	12	14	16
Three-phase	W	m	m³/h	Inch	L	B	H	kg	Q (L/min)	0	33	67	100	133	167	200	233	267
UPS25-16-230T	700/450/400	16/13/11	14.5/12/9.2	1.25"/1"	230	234	286	12.5	H(m)	16	15.2	14.1	12.8	10.8	8.3	5.3	1.6	/
UPS25-20-230T	1000/700/600	20/17/14	17/14/12.5	1.25"/1"	230	234	286	13.4		20	19.2	18.2	17	15.5	13.5	11	7.8	3.5

Model	Power	Max head	Max.flow	Size	Dimension(mm)			N/W	Q (m³/h)	0	1	2	3	4	5	6	7	8
Single-phase	W	m	m³/h	Inch	L	B	H	kg	Q (L/min)	0	17	33	50	67	86	100	117	133
UPS32-5-200F	145/135/95	5.2/4.1/2.6	4/2.5/1.6	DN32	200	150	185	5.2	H(m)	5.2	4.2	3.1	2.8	0.5	/	/	/	/
UPS32-8-200F	245/190/135	8/7/5	8/5.2/3.5	DN32	200	150	185	5.8		8	7.5	6.8	6.3	5.5	4.8	4	3	2.3
UPS40-3-215F	145/120/100	3/2.5/1.5	8/5.5/4.5	DN40	215	150	185	7.2		3	2.8	2.6	2.2	2	1.7	1.3	0.9	/

Model	Power	Max head	Max.flow	Size	Dimension(mm)			N/W	Q (m³/h)	0	4	8	12	16	20	24	28	32
Three-phase	W	m	m³/h	Inch	L	B	H	kg	Q (L/min)	0	67	133	200	267	333	400	467	533
UPS40-12-250TF	700/450/400	14.5/12.5/11	14/11.2/8	DN40	250	234	297	15.3	H(m)	14.5	13.2	10	4.2	/	/	/	/	/
UPS40-16-250TF	1000/700/600	16.2/15.5/14.5	17/14/12	DN40	250	234	297	16.9		16.2	15.3	13.5	9	2	/	/	/	/
UPS50-12-280TF	1000/700/600	13.2/11/10	24/18.5/13	DN50	280	242	304	17.5		13.2	12.6	11.2	9.4	6.8	3.6	0.2	/	/
UPS50-16-280TF	1300/1000/900	16.5/16/15	28/26/24	DN50	280	242	329	19.6		16.5	16	15.2	14.2	12.4	9.6	6	0.1	/
UPS50-20-280TF	1300/1000/900	20/17/16	24.5/22/18.5	DN50	280	242	329	19.8		20	19.2	16.8	15.7	12.4	8.6	0	/	/
UPS65-5-280TF	700/450/400	6.2/6/4.5	32/28/25.5	DN65	280	242	310	18		6.2	5.7	5.3	4.7	4	3.2	2.3	1.3	/
UPS65-8-280TF	700/450/400	8.2/6.7/5.5	35/28/25	DN65	280	242	310	18.2		8.2	8	7.5	6.9	6	5.2	4.2	3	1.7
UPS65-10-300TF	1000/700/600	10.2/8.8/7	38/34/30	DN65	300	242	310	19.7		10.3	9.8	9	8.2	7.4	6.3	5.3	4	2.5
UPS65-12-300TF	1300/1000/900	13.7/11/9.5	49/44/39	DN65	300	242	335	21.5		13.5	13	12.5	11.8	11	10	9.2	8	7

Model	Power	Max head	Max.flow	Size	Dimension(mm)			N/W	Q (m³/h)	0	5	10	15	20	25	30	35	40
Three-phase	W	m	m³/h	Inch	L	B	H	kg	Q (L/min)	0	83	167	250	333	417	500	583	667
UPS80-10-300TF	1000/700/600	10/8/7	35/30/27	DN80	360	247	320	20	H(m)	10	9.5	8.5	7.5	6.5	5	3.5	2	/
UPS80-12-300TF	1300/1000/900	12.2/10/9.3	41.23/35/33	DN80	360	247	345	24.4		12	11.4	10.6	9.8	8.8	8	6.6	5	3.6



[WWW.PARWS.COM](http://WWW.PARWS.COM) 